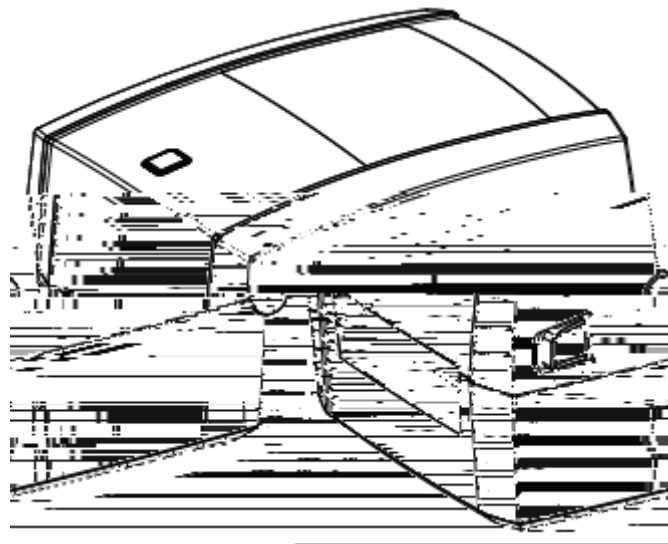

DL-888D

DL-888T

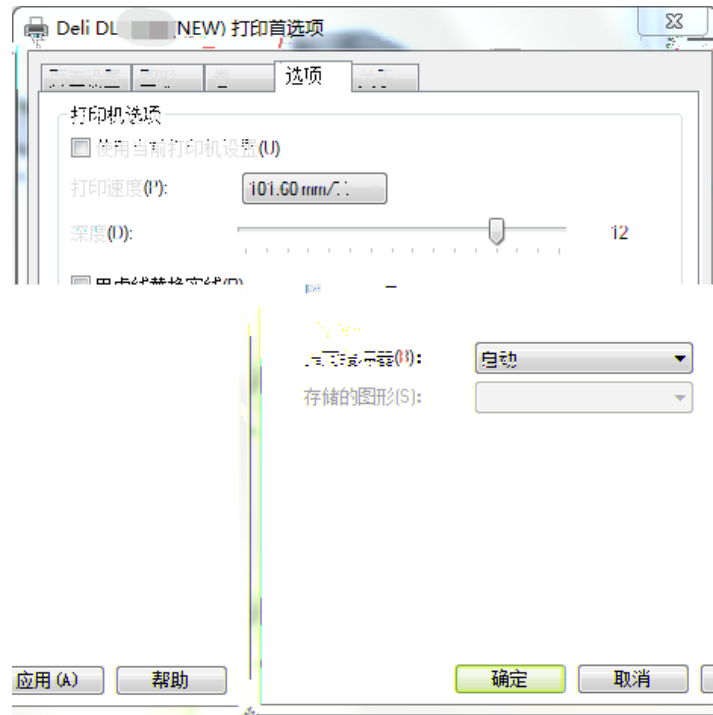


| | | |
|-------|-----------------|----|
| | | 1 |
| | | 2 |
| 1 | | 2 |
| 2 | | 2 |
| 3 | | 3 |
| 4 | | 4 |
| | | 5 |
| 1 | | 8 |
| 1.1 | | 8 |
| 1.2 | | 9 |
| 1.3 | | 10 |
| 2 | | 11 |
| 3 | | 13 |
| 3.1 | | 13 |
| 3.1.1 | | 13 |
| 3.1.2 | | 16 |
| 3.1.3 | | 18 |
| 3.1.4 | (DL-888T)..... | 19 |
| 3.2 | | 21 |
| 3.3 | | 22 |
| 3.4 | | 22 |
| 3.5 | | 23 |
| 3.6 | | 24 |
| 3.6.1 | / | 24 |

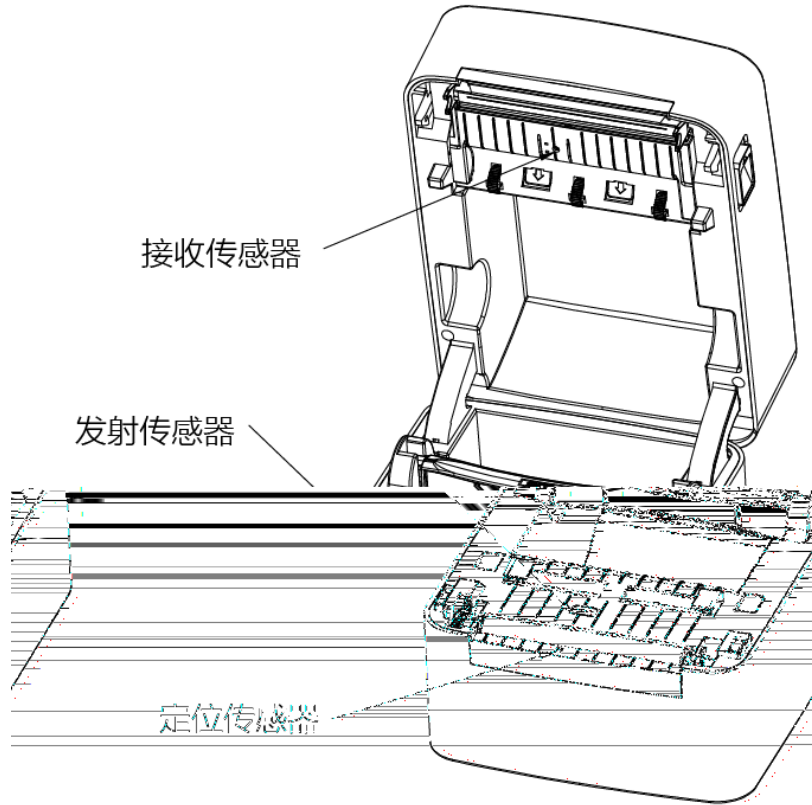
| | | |
|-------|-------|----|
| 3.6.2 | | 24 |
| 3.6.3 | | 24 |
| 3.6.4 | | 25 |
| 3.6.5 | | 25 |
| 4 | | 28 |
| 1: | | 29 |

✖

1



2



3

1

2

2~3

3

4

1

2

1 2



.



1

2

3

4

5



1

2

3

4

5

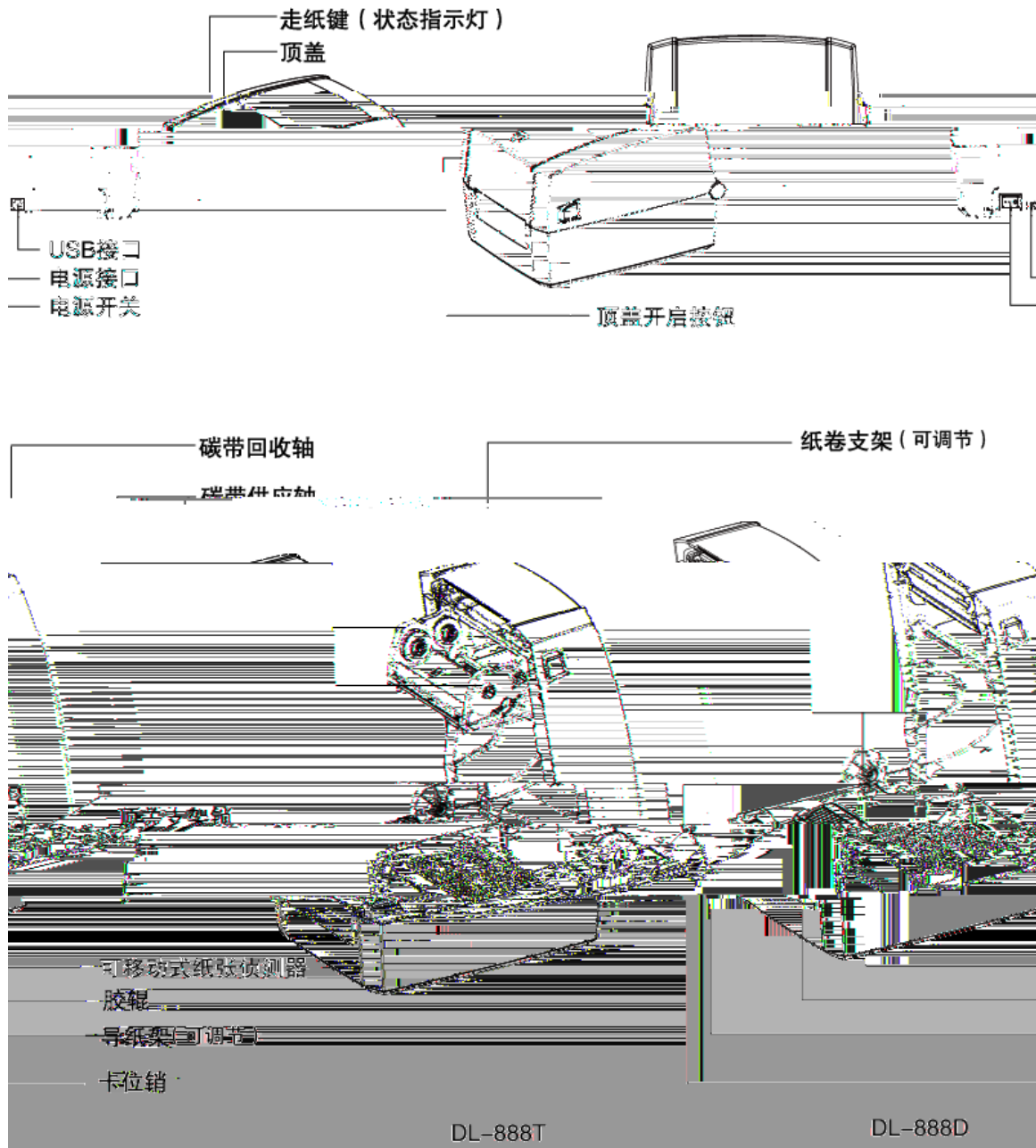
6

-
-
-
-
-

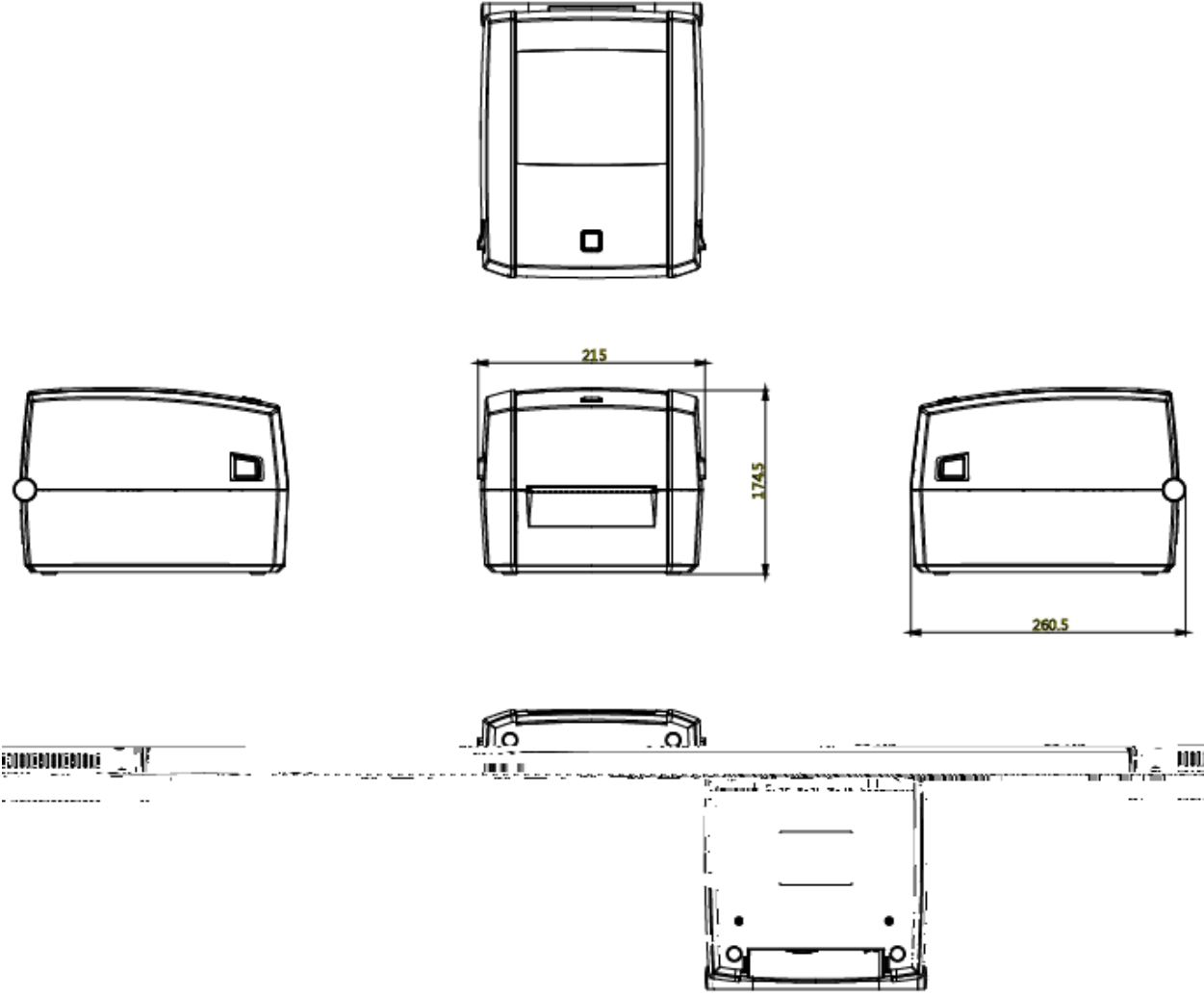
-
-
-
-



1.2



1.3



2

(2/1)

| | | |
|--|-----|-----------------------------------|
| | | / |
| | | 203 / (8 /) |
| | | 102 / |
| | | 108 |
| | | 15 - 300 |
| | | 32 RISC CPU |
| | RAM | 2MB |
| | | 2MB |
| | | , |
| | | , |
| | | 1.38 (35) 4.65 (118) |
| | | 0.003 (76.2) 0.007 (177.8) |
| | | 5 (127) |
| | | 0.5 (12.7),1 (25.4),1.5 (38.1) |

DL-888T

(2/2)

| | |
|--|------------|
| | |
| | CCC,FCC,CE |

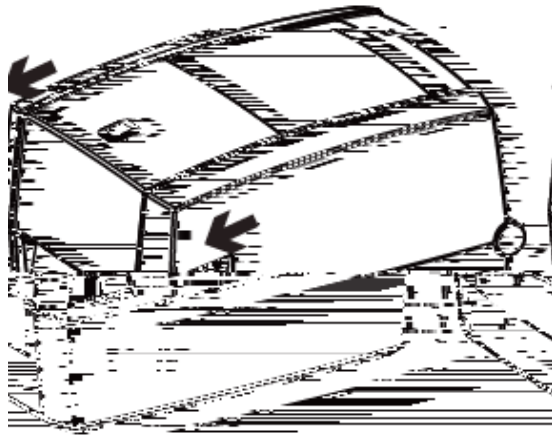
3

3.1

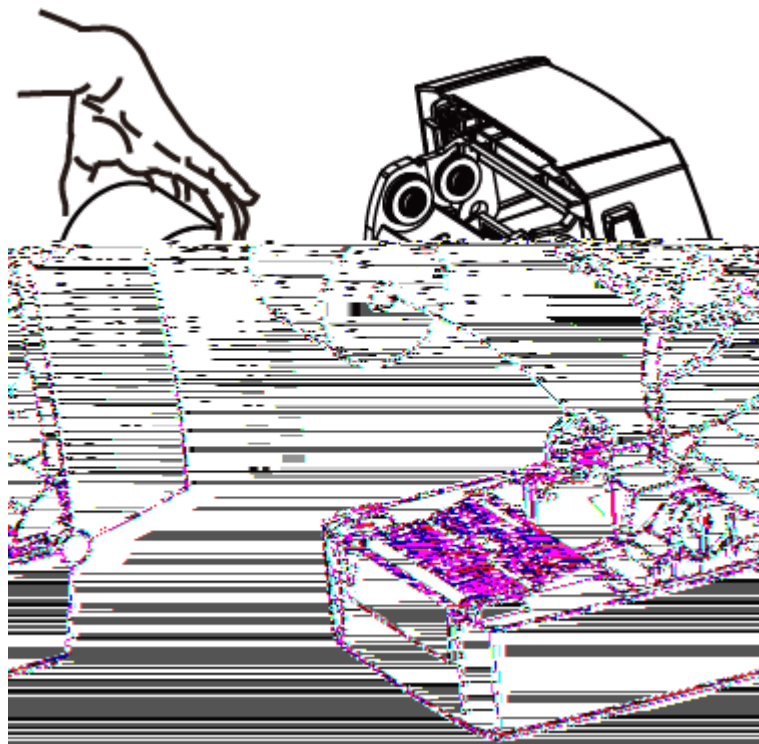
DL-888D

3.1.1

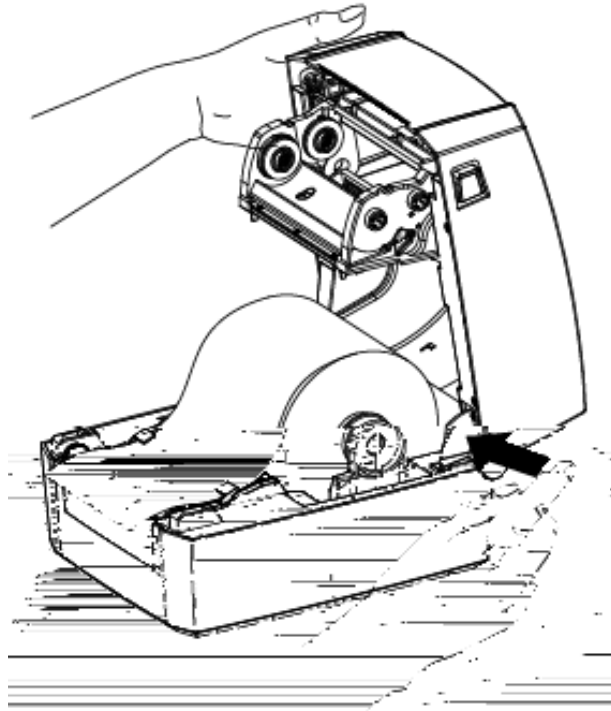
1.



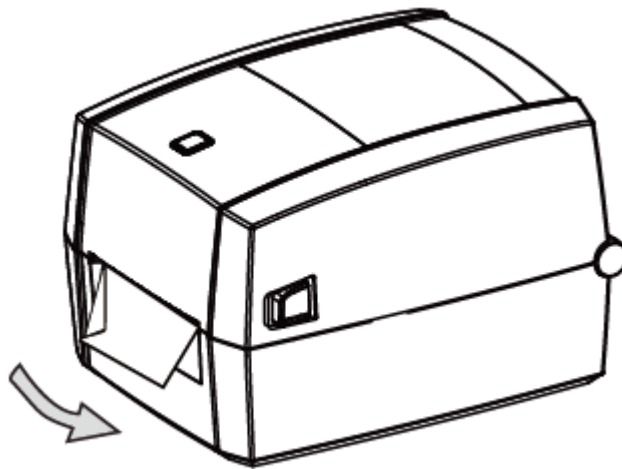
2.



5.

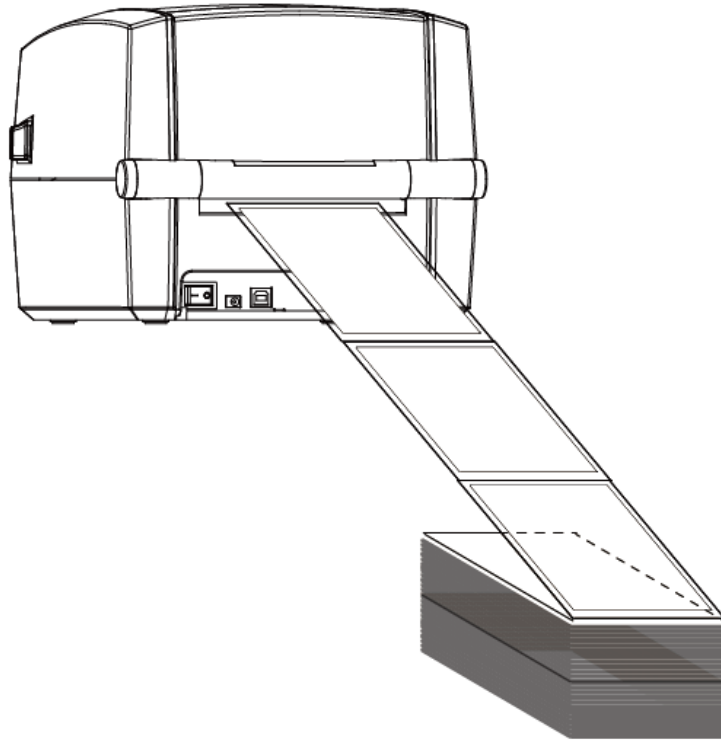


6.

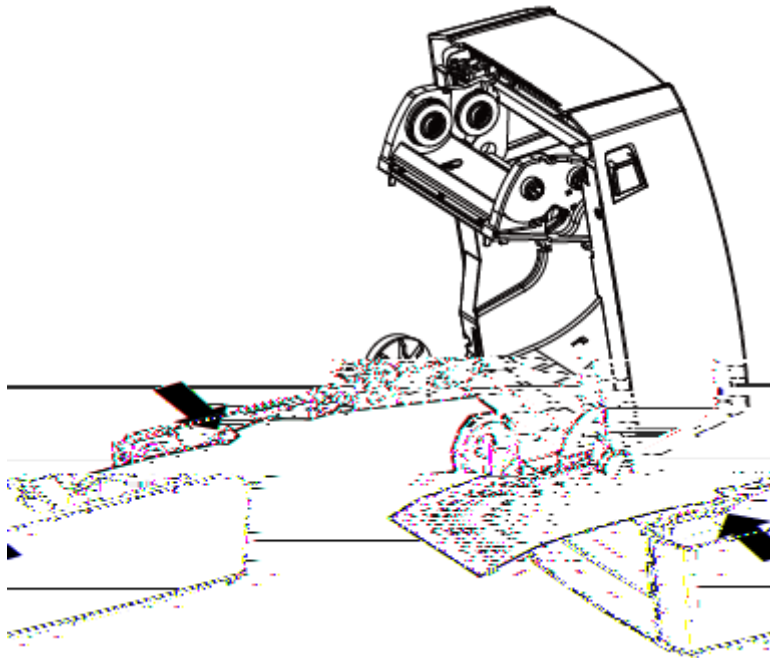


3.1.2

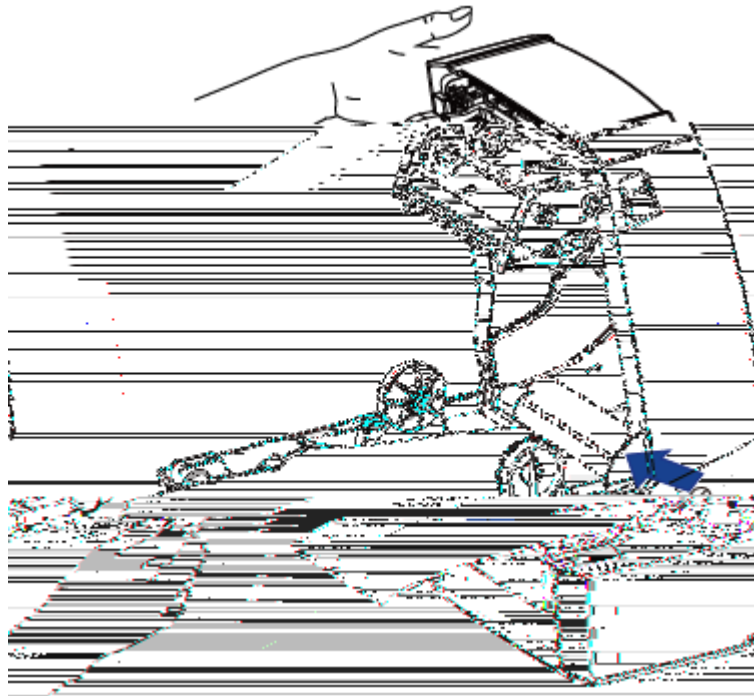
1.



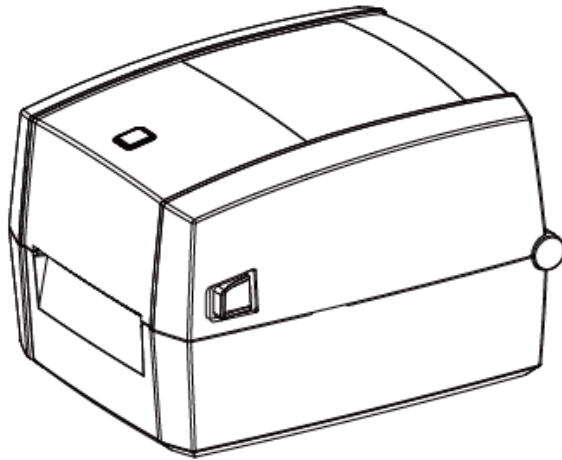
2.



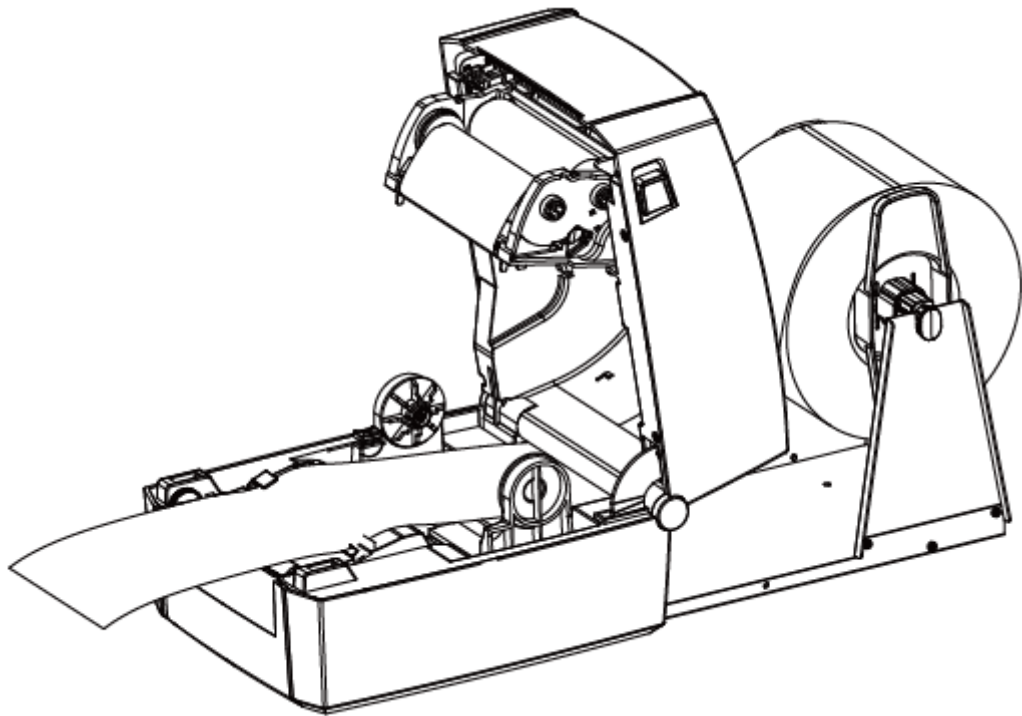
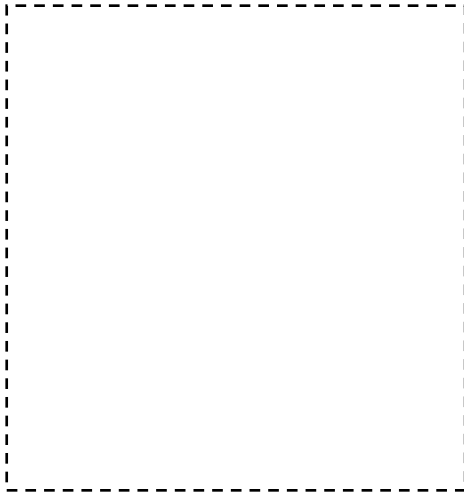
3.



4.

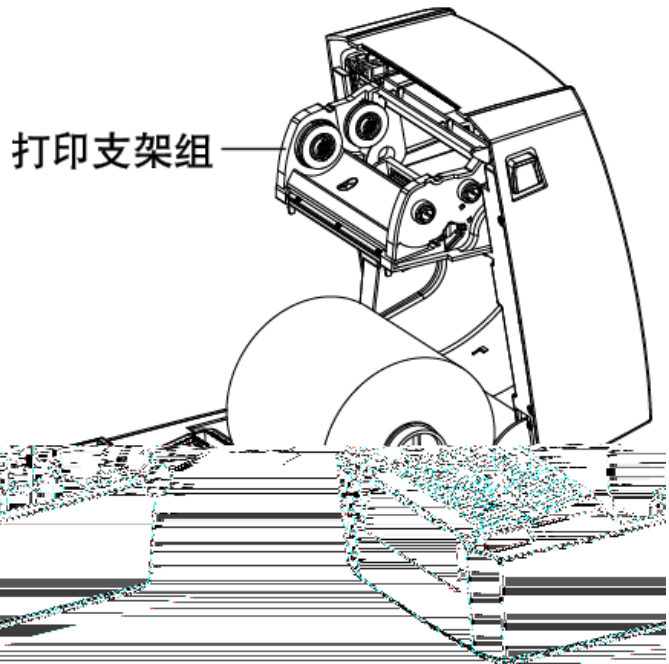


3.1.3

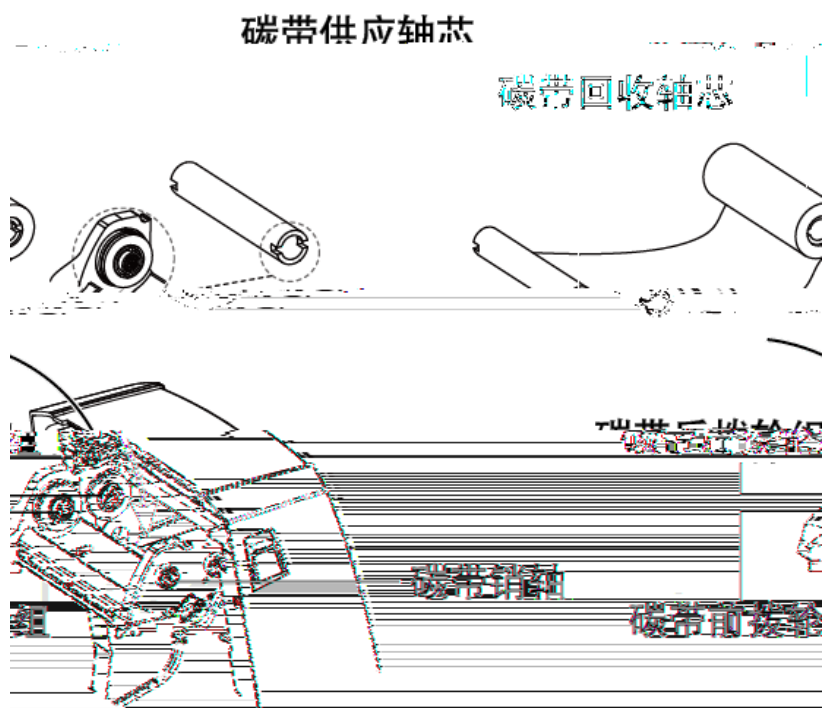


3.1.4 (DL-888T)

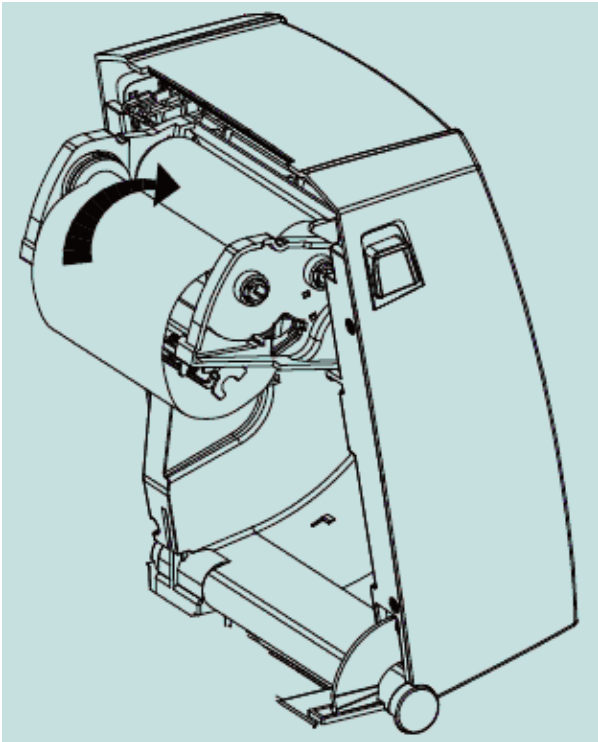
1.



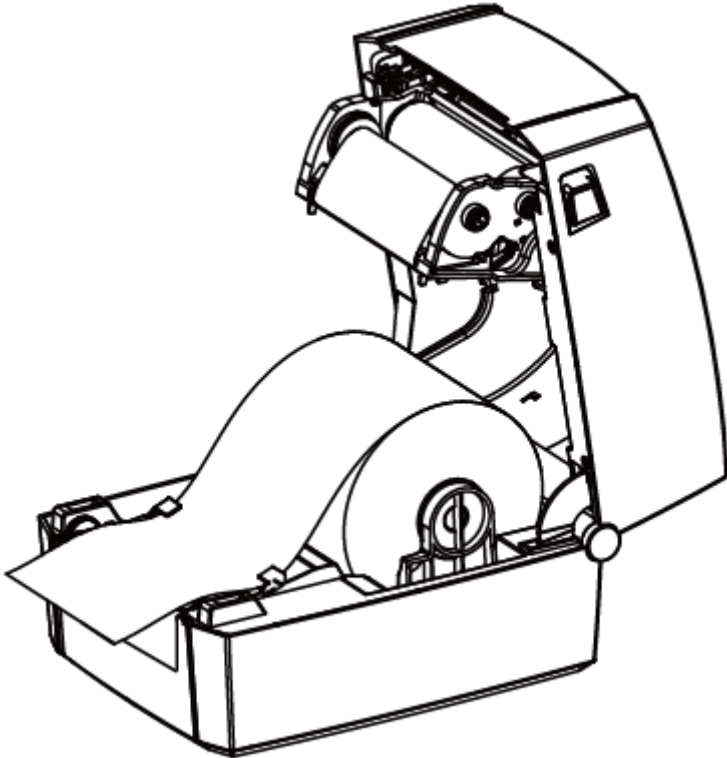
2.



3.

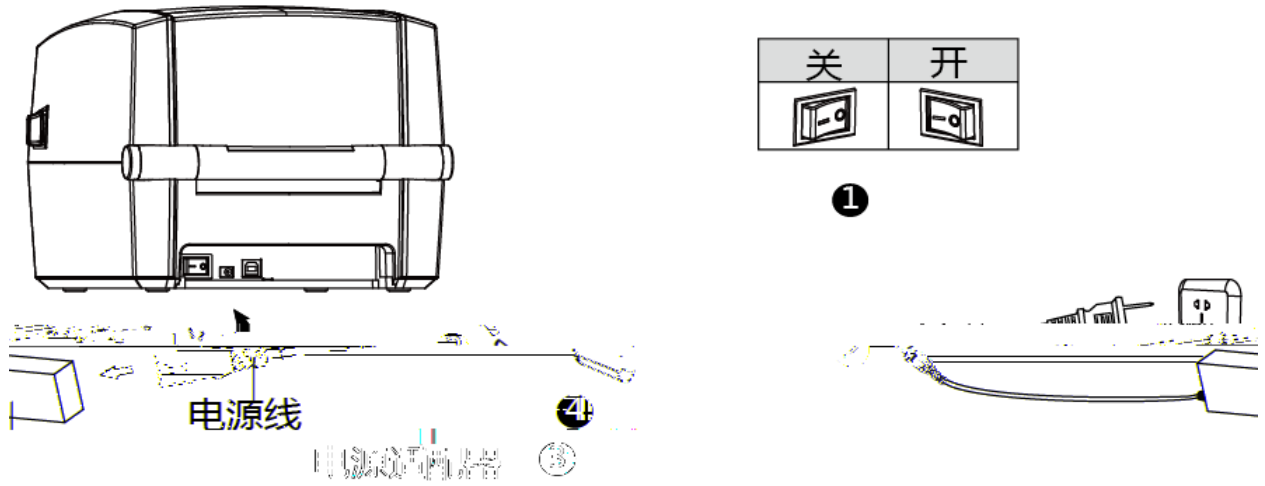


4.



3.2

1. (O)
- 2.
- 3.
- 4.

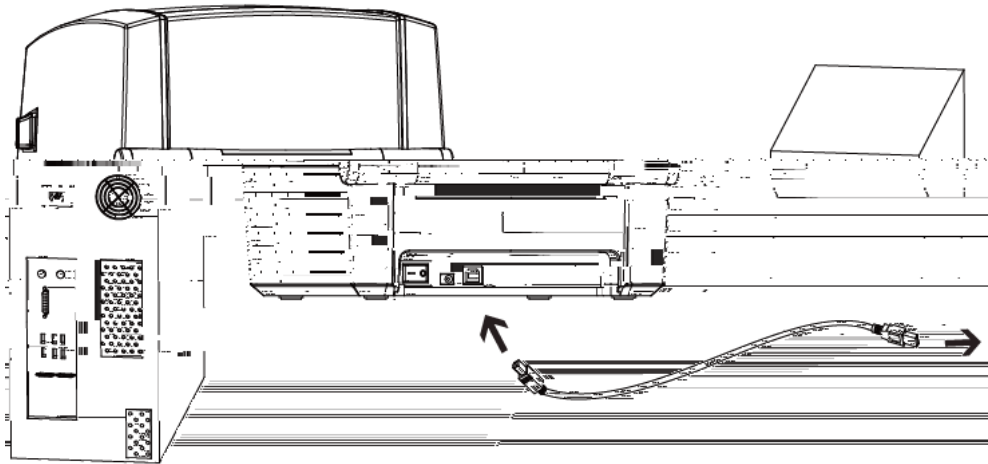


-
-
-

80mm

3.3

--USB B-Type

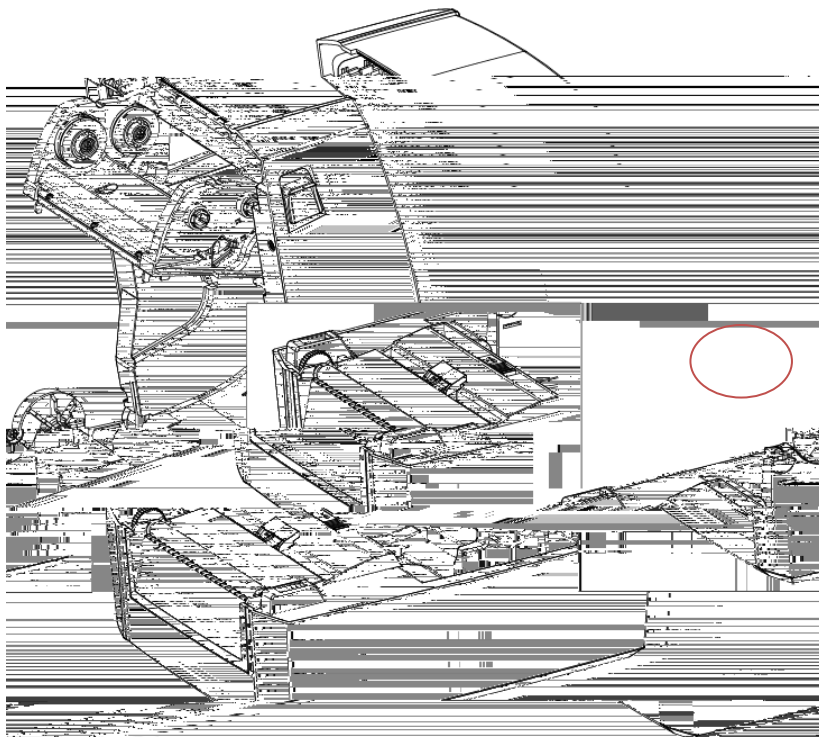


1 (O)

2)

-- USB USB B-Type

3.4



3.5

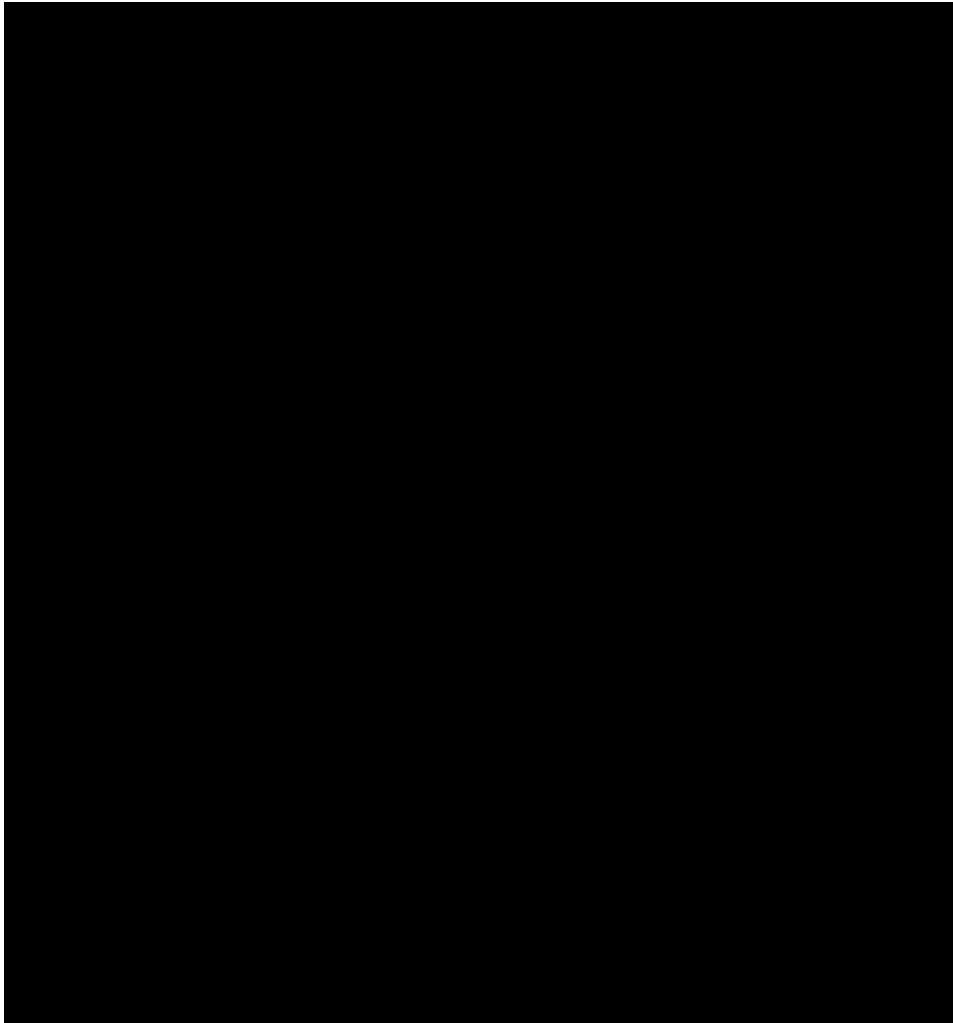
-

-

-

- 1.

- 2.



3.6

3.6.1 /

O 1

3.6.2

3.6.3

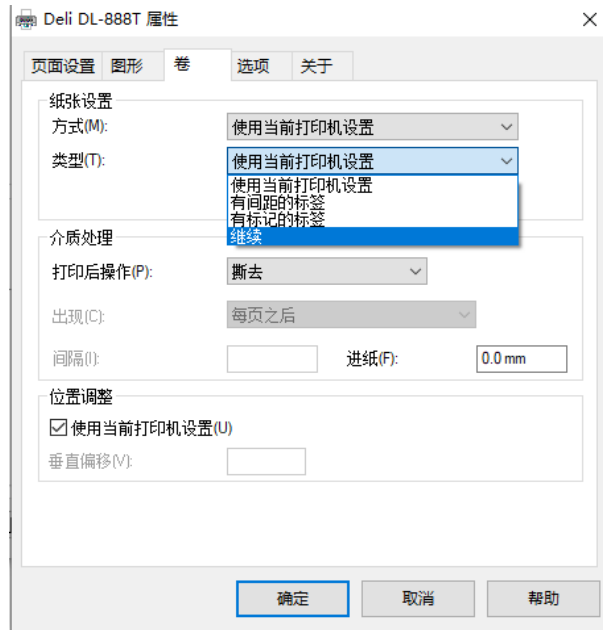
- 1)
- 2)
- 3)

- 1) Windows
Windows
- 2) Windows
- 3) Windows

3.6.4



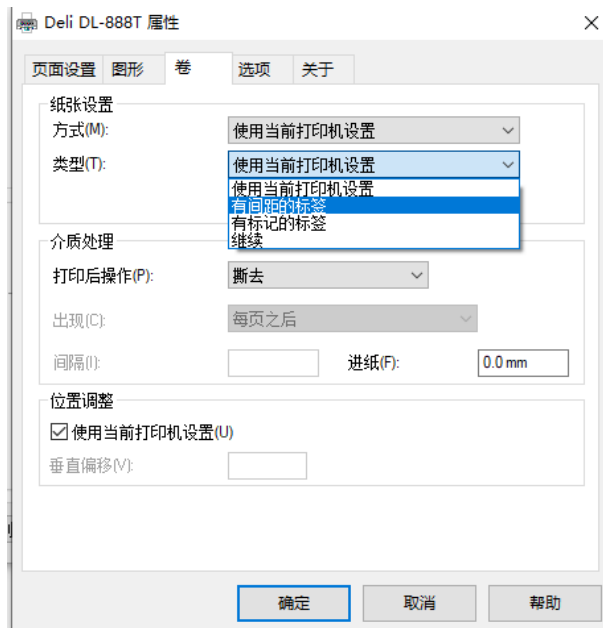
58mm 80mm



BarTender

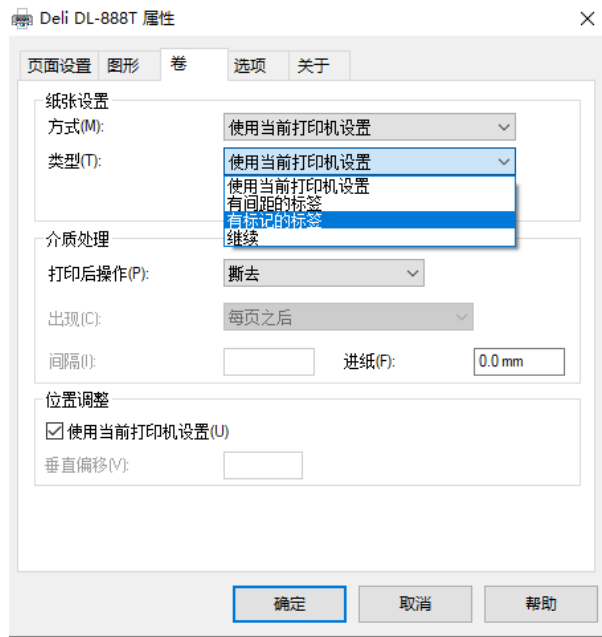
2

2mm 3mm



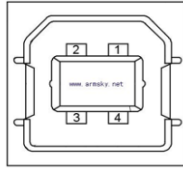
BarTender

3



BarTender

4



| 1 | VBUS |
|---|------|
| 2 | D- |
| 3 | D+ |
| 4 | GND |

1:

1

| | |
|--|--|
| | |
|--|--|

Pb

Hg

Cd

Cr VI