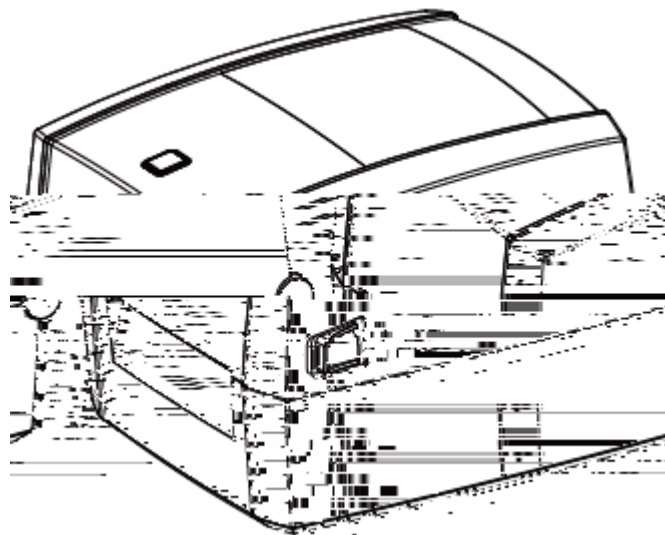


---

**DL-888D/**

**DL-888T**



---

	.....	1
	.....	2
1	.....	5
1.1	.....	5
1.2	.....	6
1.3	.....	7
2	.....	8
3	.....	10
3.1	.....	10
3.1.1	.....	10
3.1.2	.....	13
3.1.3	.....	15
3.1.4	( DL-888T) .....	16
3.2	.....	18
3.3	.....	19
3.4	.....	19
3.5	.....	20
3.6	.....	21
3.6.1	/ .....	21
3.6.2	.....	21
3.6.3	.....	21
3.6.4	.....	22
4	.....	23
5	.....	24
5.1	.....	24
5.2	.....	24
1:	.....	25

---

※

Windows

1.



2.



1

2

3

4

5



1

2

3

4

5

6

- 
- 
- 
- 
-

- 
- 
- 
- 

3.



4. WEEE ( )



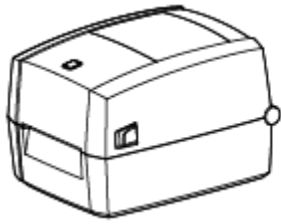
# 1

## 1.1

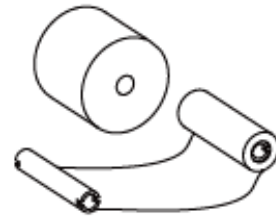


1

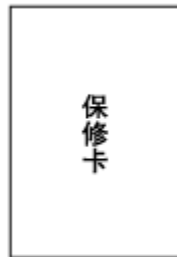
2



USB

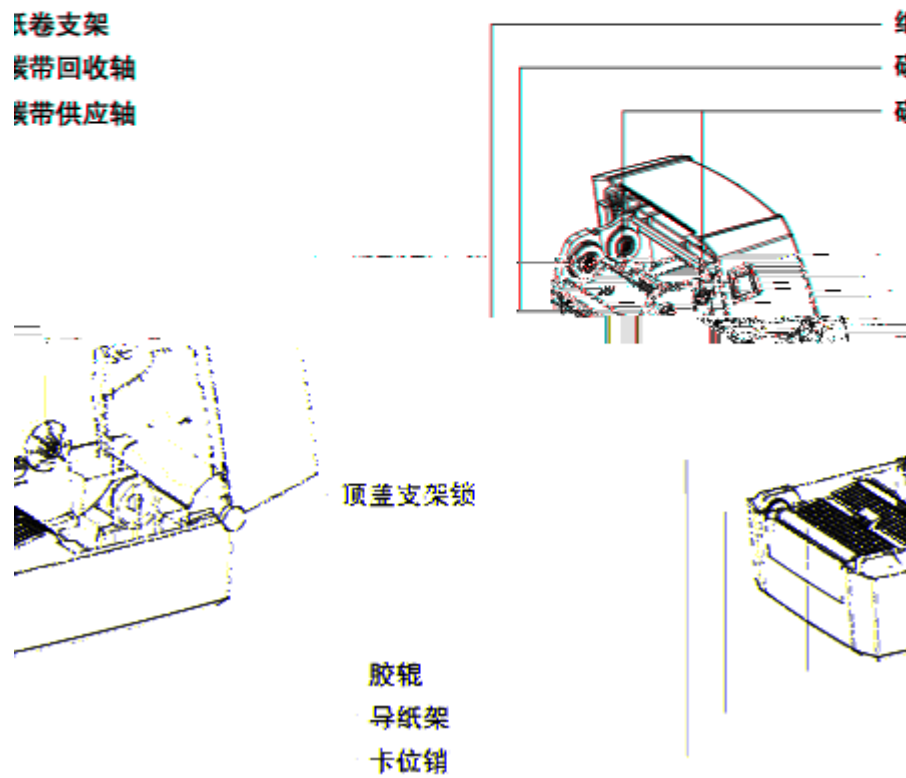
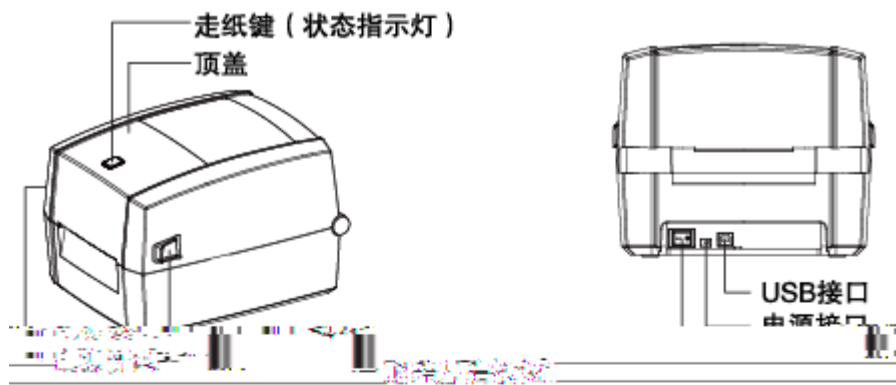


+  
( DL-888T)



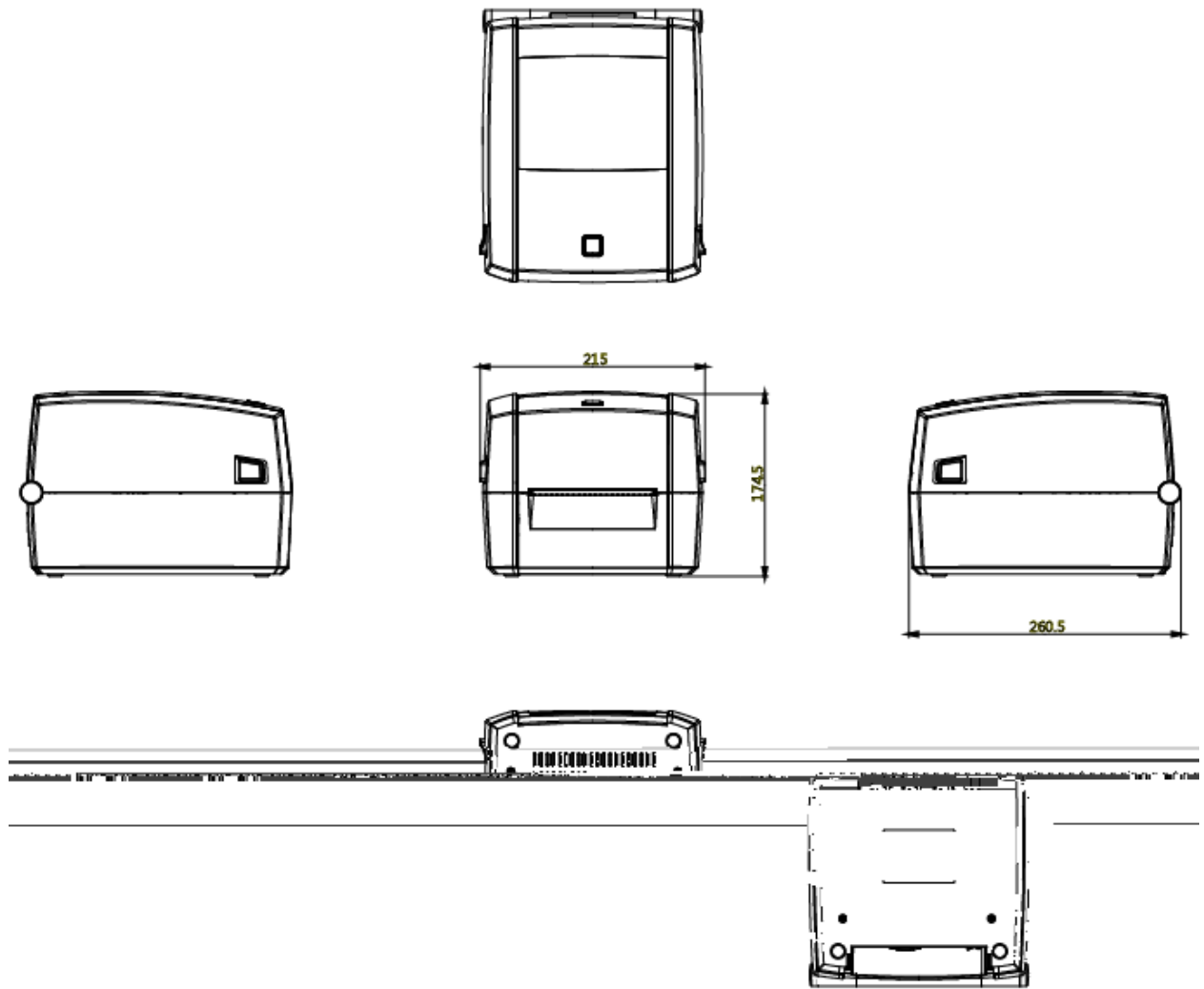
1-1

## 1.2





## 1.3



## 2

	开	/
		203 / (8 / )
		102 /
		108
		15 - 300
		32 RISC CPU
	RAM	2MB
		2MB
		, , , ,
		,
		0.79 (20 ) 4.65 (118 )
		0.003 (80 ) 0.007 (180 )
		5 (127 )
		0.5 (25.4 ),1 (25.4 ),1.5 (38 )
		, ,
		1.33 (33.8 ) 4.33 (110 )
		328 (100 )
		0.5 (25.4 )
		TSPL
		Bartender UltraLite
		Windows 2000,XP,Vista7,8,10
		6, 8, 12, 16, 32, OCR A & B. 90 , 180 , 270 叠 10 支
		CG Triumvirate
		DOS437,720,737,755,775,850,852,855,856,857,858,860,862,863,864,865,866, Windows1250,1251,1252,1253,1254,1255,1256,1257,1258 ISO8859-1,-2,-3,-4,-5,-6,-8,-9,-15 DBCS 932 (JIS), 936(GBK), 949 (Koran), 950(BIG5)
		Code 39, Code 93, Code 128UCC, Code 128 subset A, B, C, Codabar, Interleave 2 of 5, EAN-8, EAN-13, EAN-128, UPC-A, UPC-E, EAN and UPC 2 (5) digits add-on, MSI, PLESSEY, POSTNET, RSS-Stacked, GS1 DataBar, Code 11
		PDF417, Maxicode, DataMatrix, QR Code, Aztec
		USB
		LED
		: 100-240 , 50/60 , : 24 /2 , 5
	位	41 (5 )-104 (40 ) 30%-85%,( )
		-4 (-20 )-122 (50 ) 10%-90%( )
	( * * )	260.5*174.5*215
		1.80 ( )
™		8

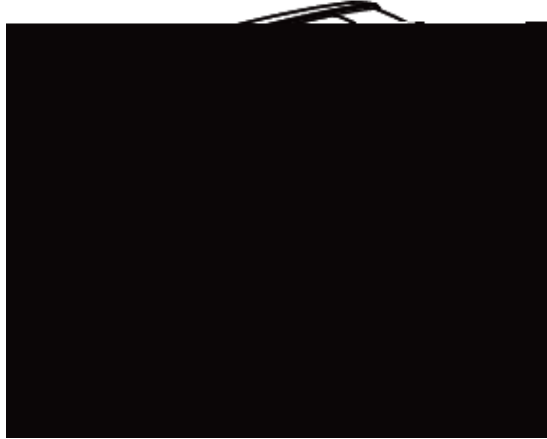
CCC,FCC,CE
------------

### 3

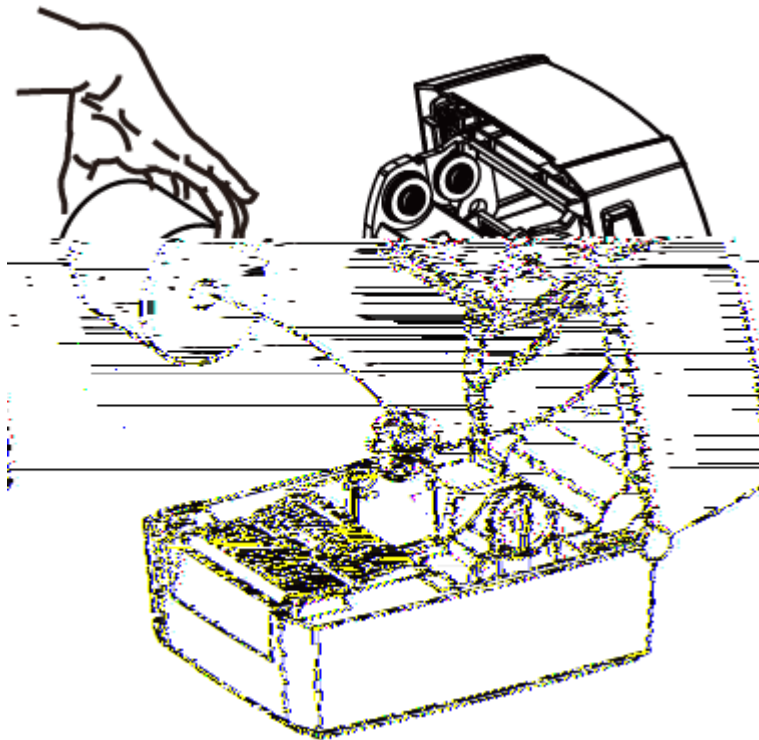
#### 3.1

##### 3.1.1

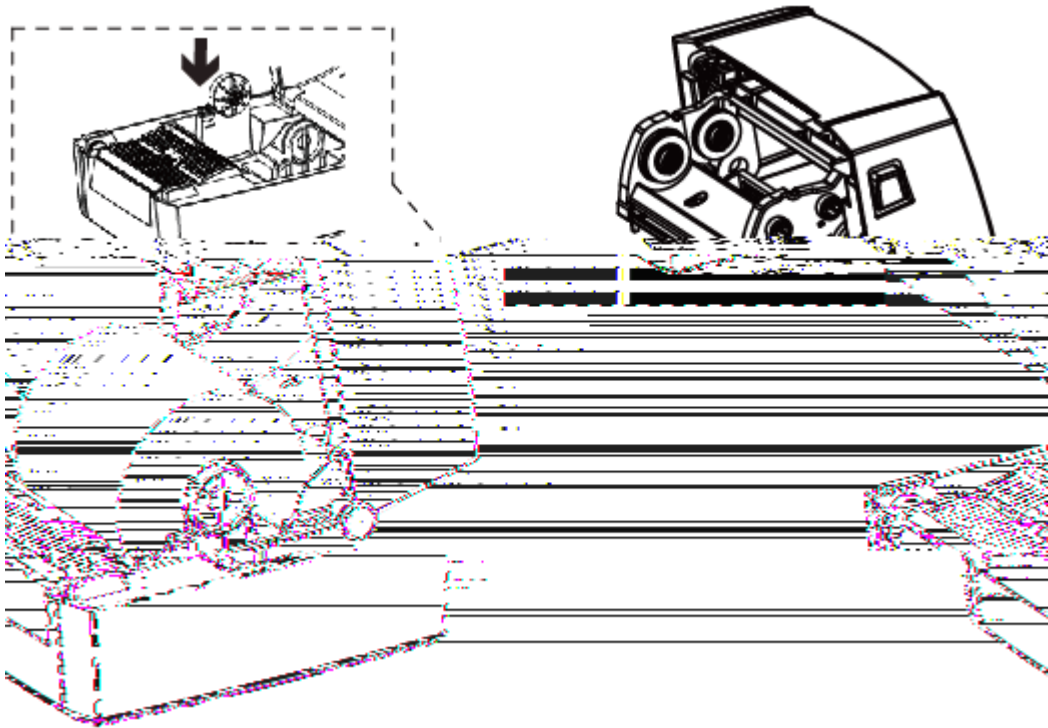
1.



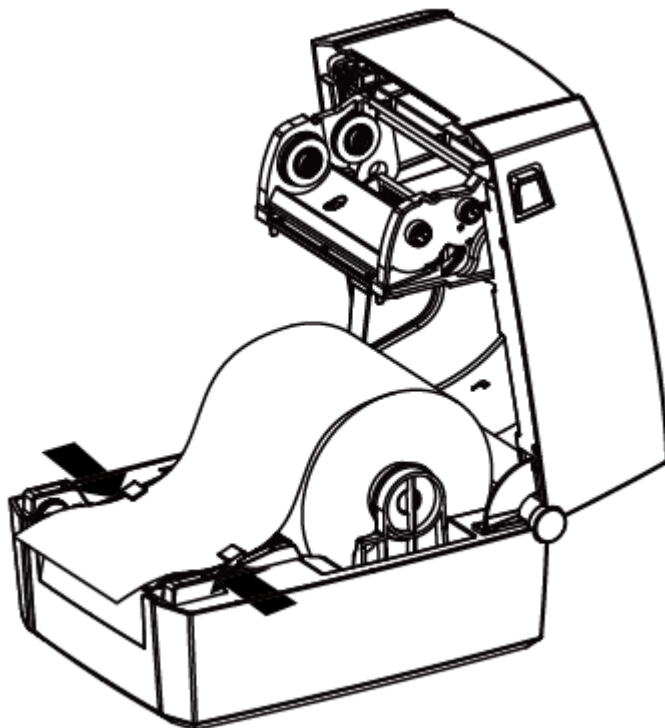
2.



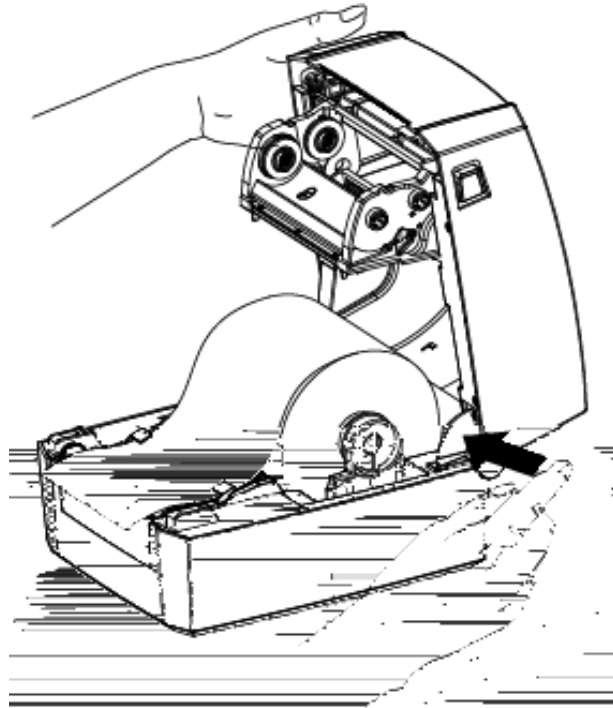
3.



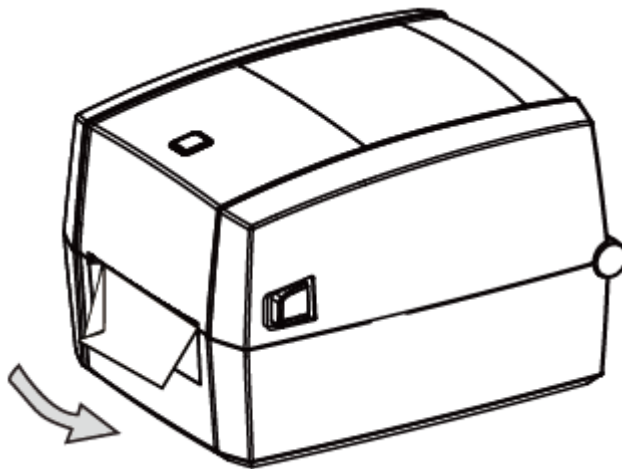
4.



5.

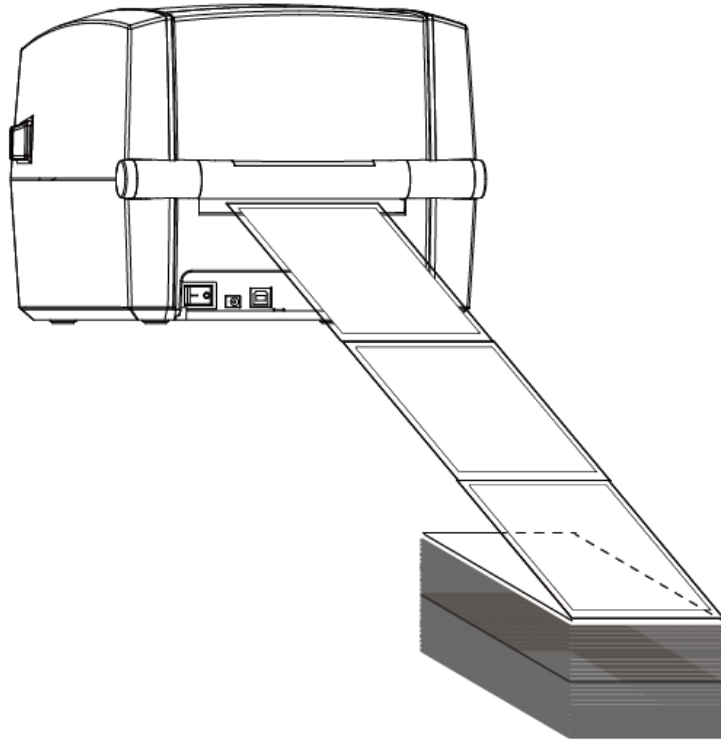


6.

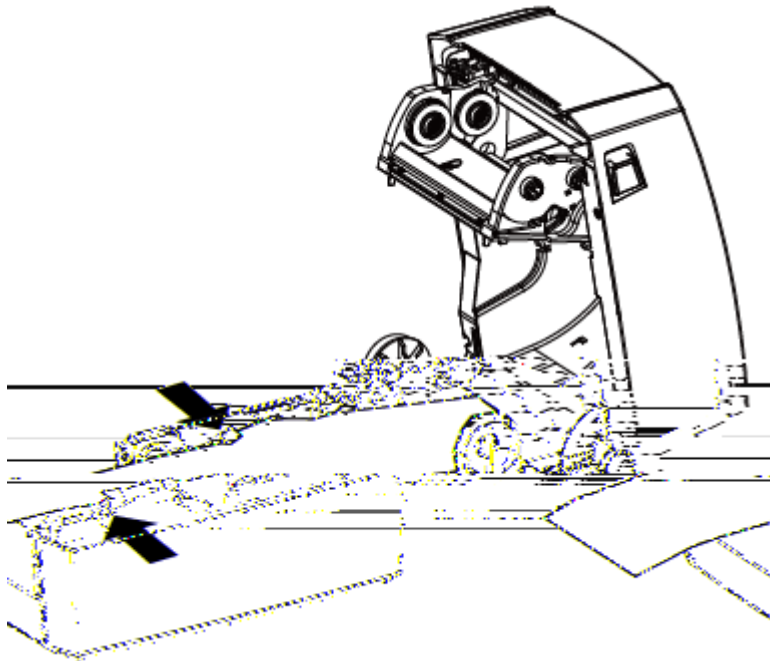


### 3.1.2

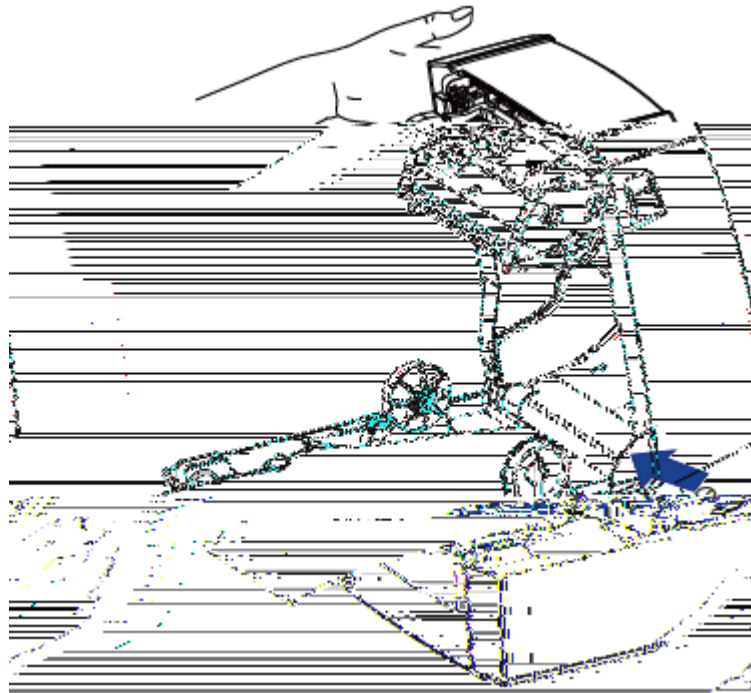
1.



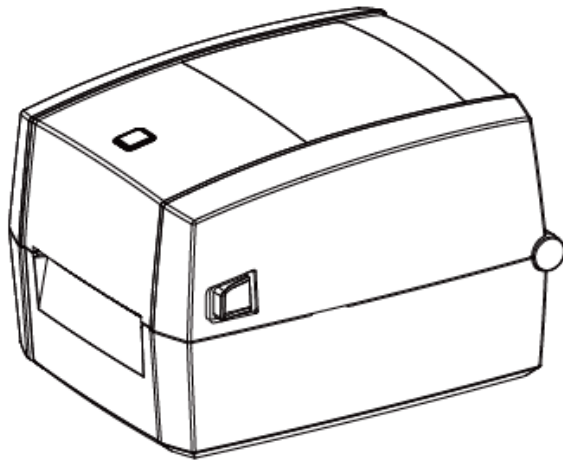
2.



3.

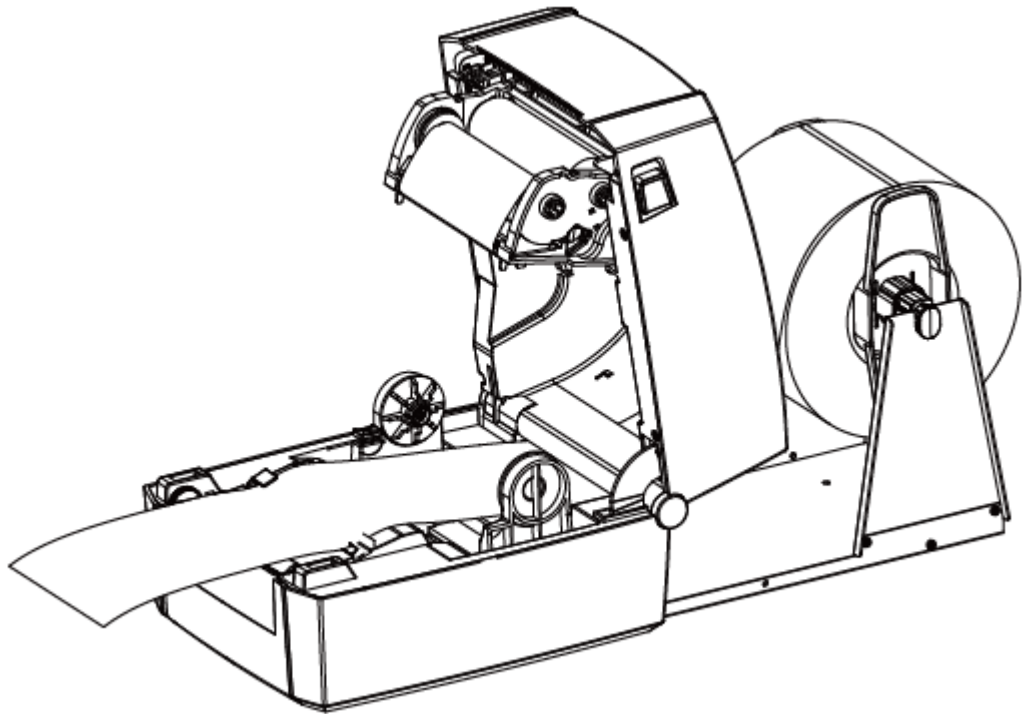
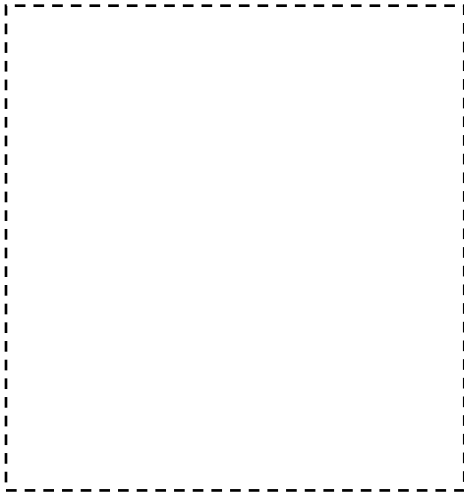


4.



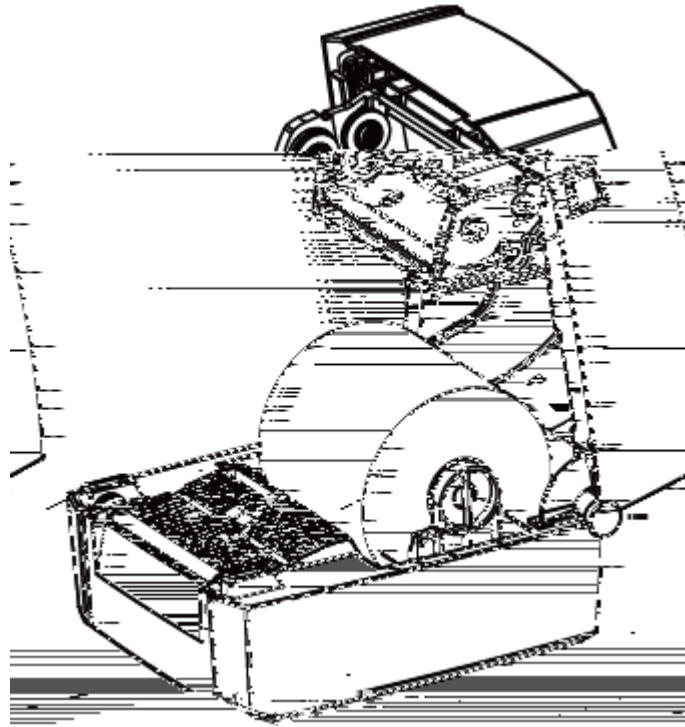


### 3.1.3

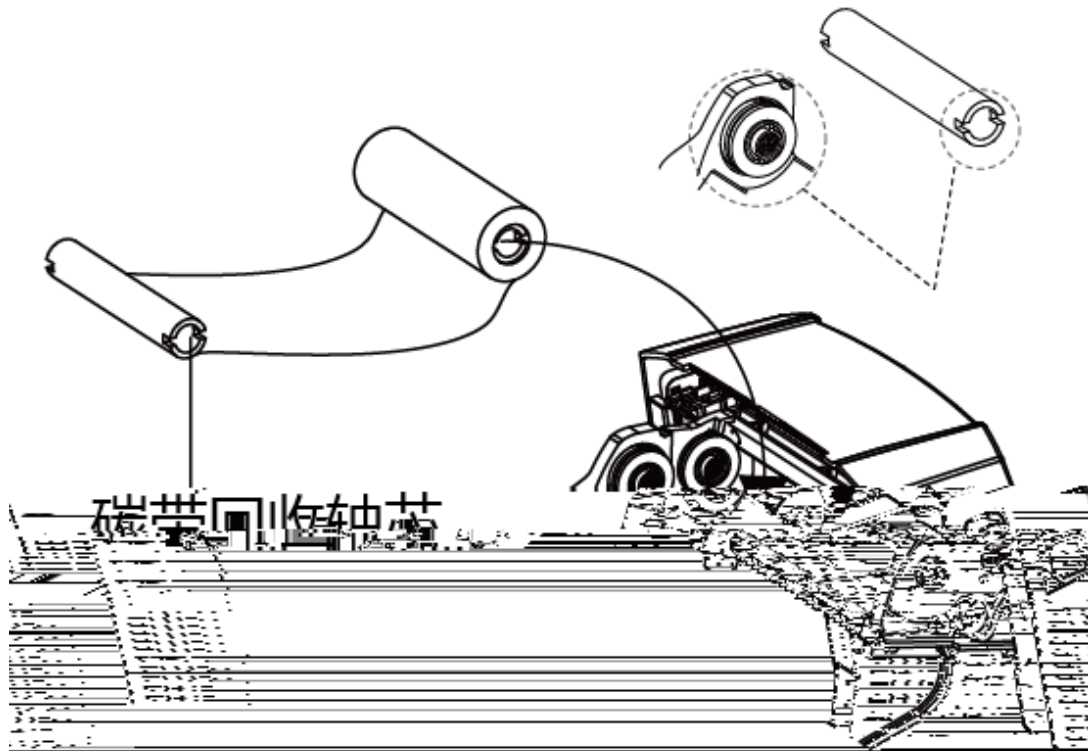


### 3.1.4 ( DL-888T)

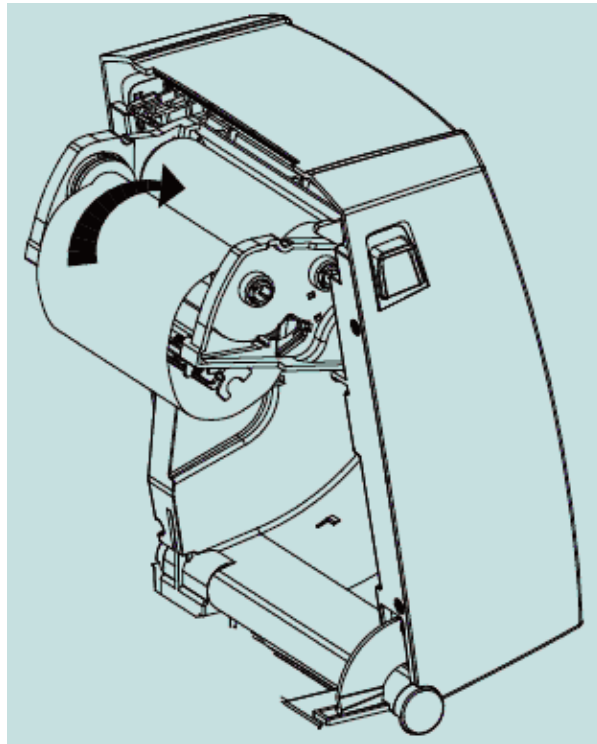
1.



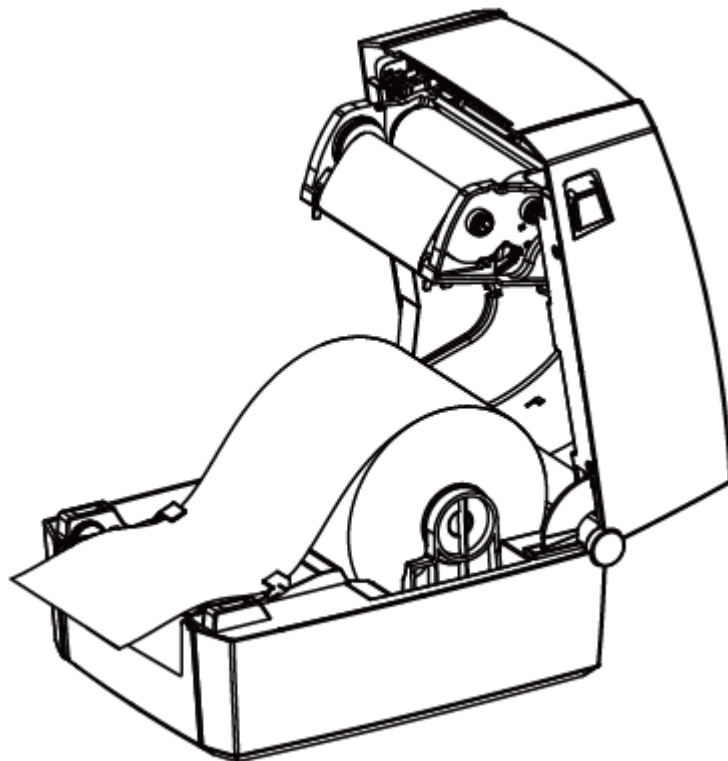
2.



3.

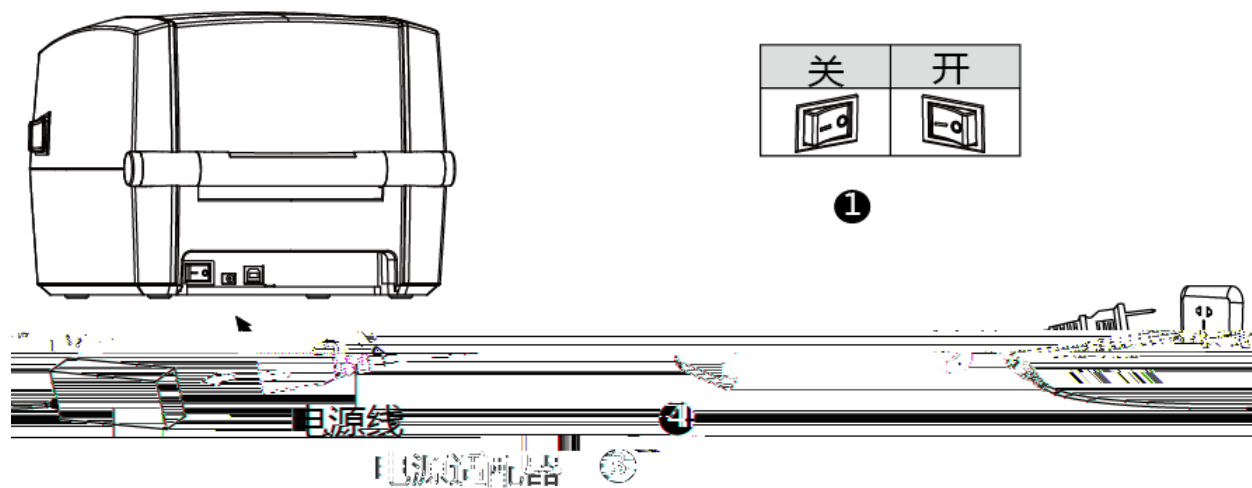


4.



### 3.2

1. (O)
- 2.
- 3.
- 4.



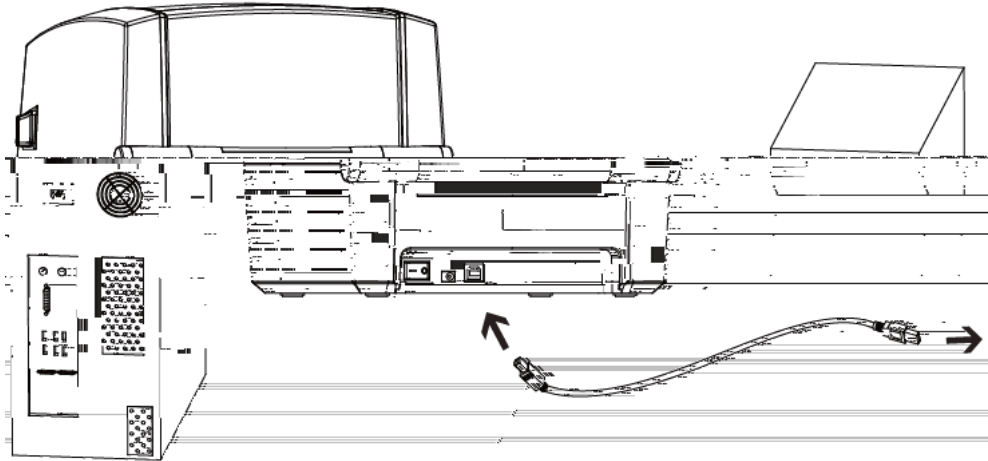
- 
- 
- 

:

80mm

### 3.3

--USB B-Type

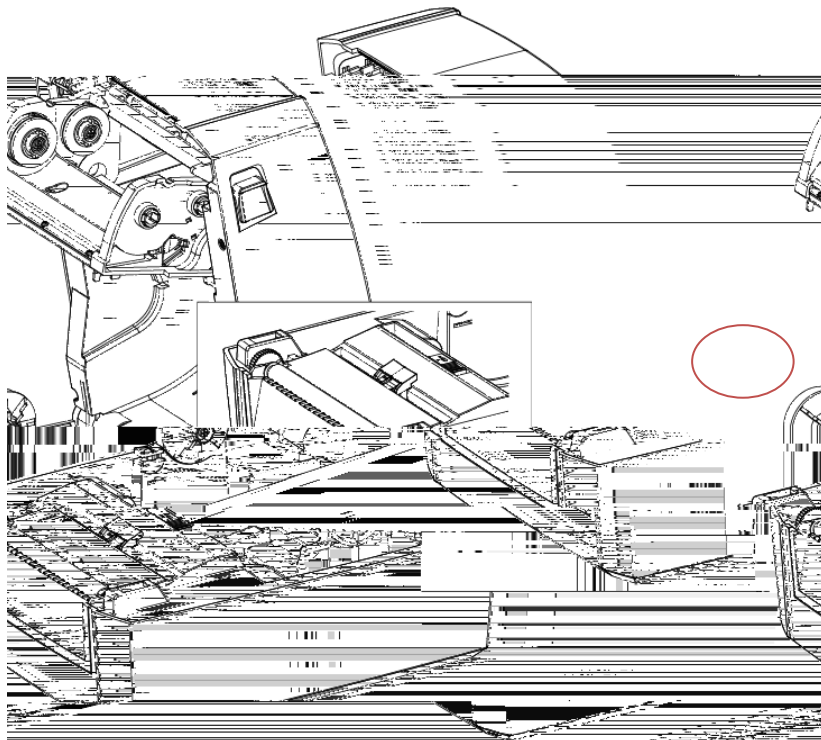


1 (O)

2)

-- USB USB B-Type

### 3.4

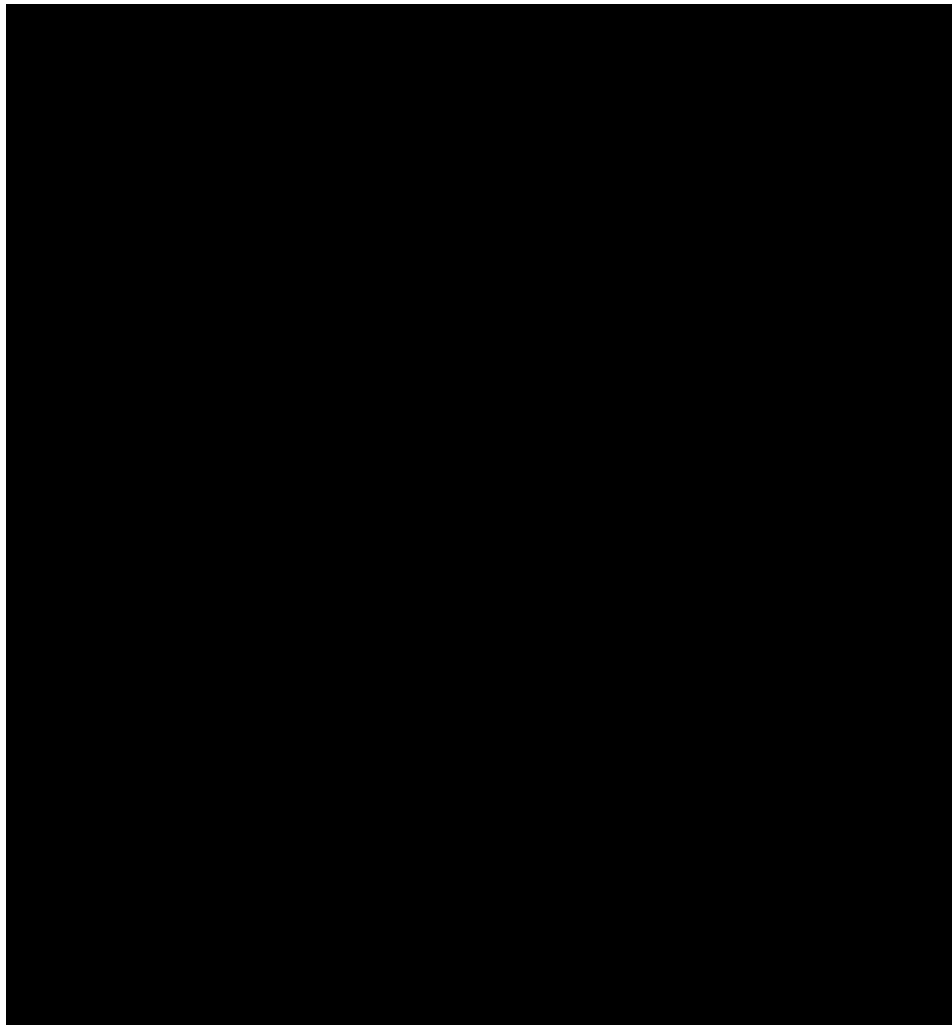


## 3.5



- 1.

- 2.



## 3.6

### 3.6.1 /

O 1

### 3.6.2

### 3.6.3

1)

2)

3)

1) Windows

Windows

2) Windows

3) Windows

### 3.6.4



1

2

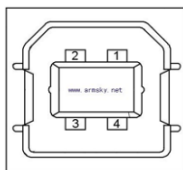
3

;





## 4



1	VBUS
2	D-
3	D+
4	GND

# 5

1

2

2~3

3

4

## 5.1

1

2

1 2

## 5.2

1

2

3

4

1 2

**1:**

1

	Pb	Hg	Cd	Cr VI	PBB	PBDE
	X	O	O	O	O	O
	X	O	O	O	O	O
	X	O	O	O	O	O