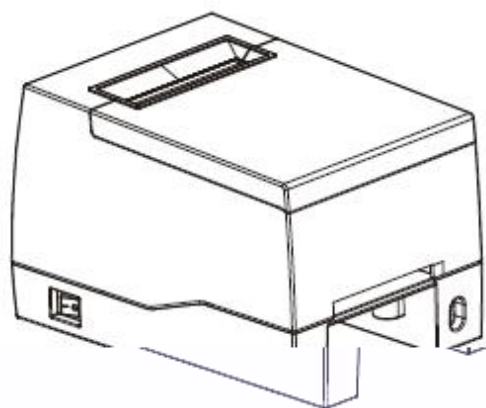
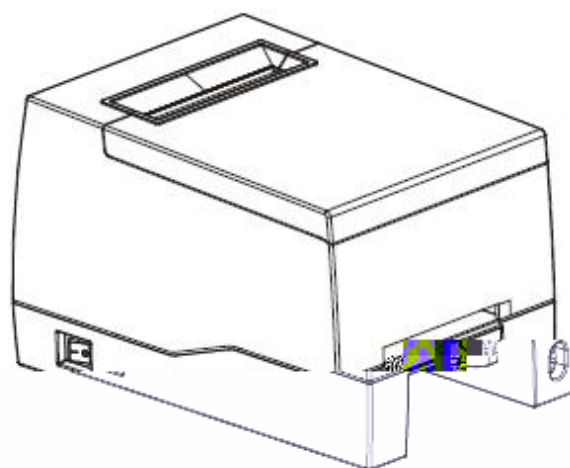

DL-886A



DL-886B



1

1.1

1.2

1.3


2

3

3.1

3.2

36

3.3 

3.4

3.5

3.5.1 /

3.5.2

3.5.3

3.5.4

4



✘

1.Windows

Windows

2.

1.





2.



1

•

•

•

•

2

•

3

•

4

•

5

•



1

.

.

2

.

3

.

4

.

5

.

6

.

.

.

.

.

.

.

.

.



3.



4. WEEE ()



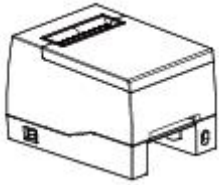
1

1.1

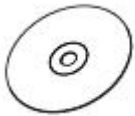


1

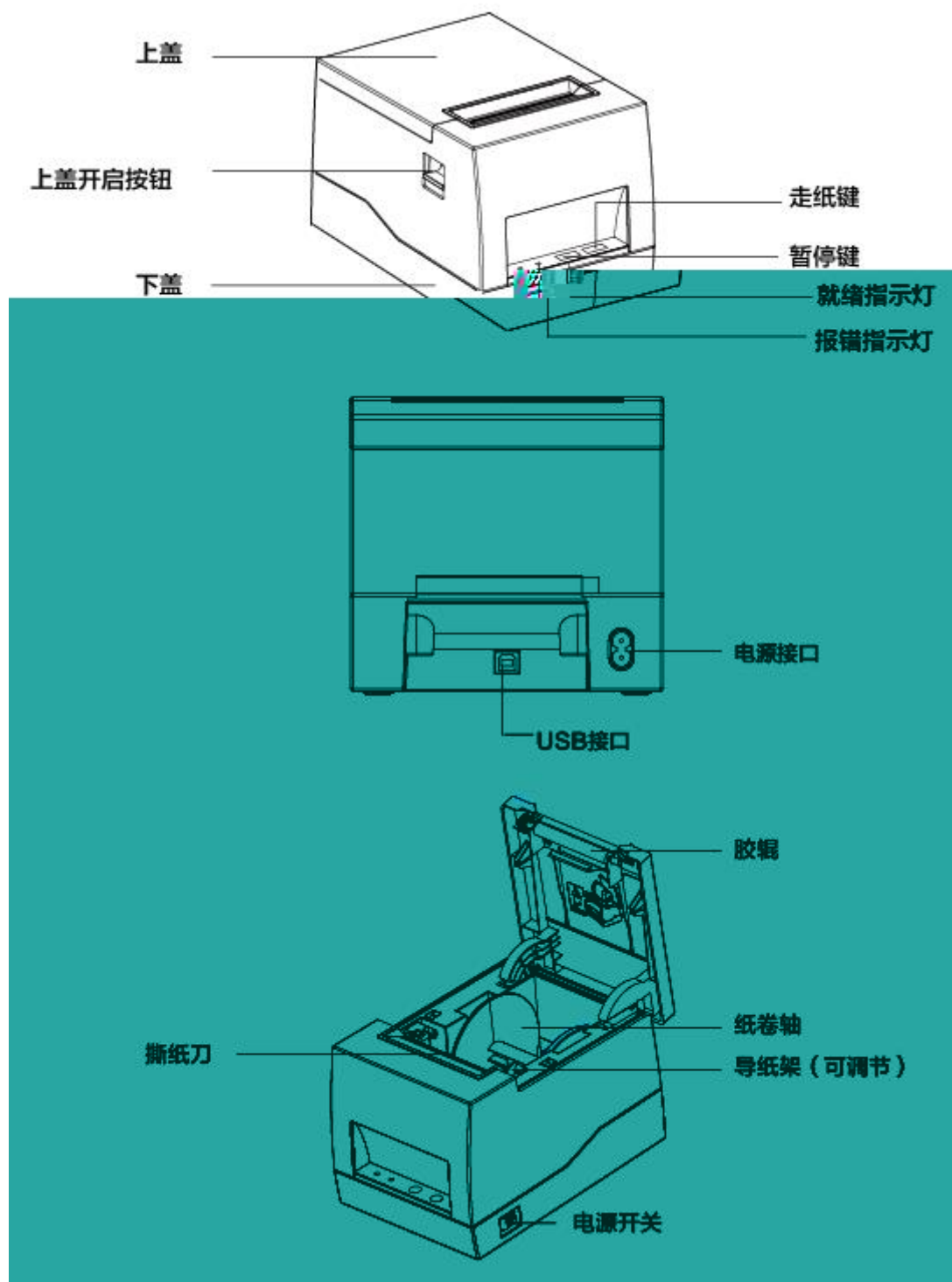
2



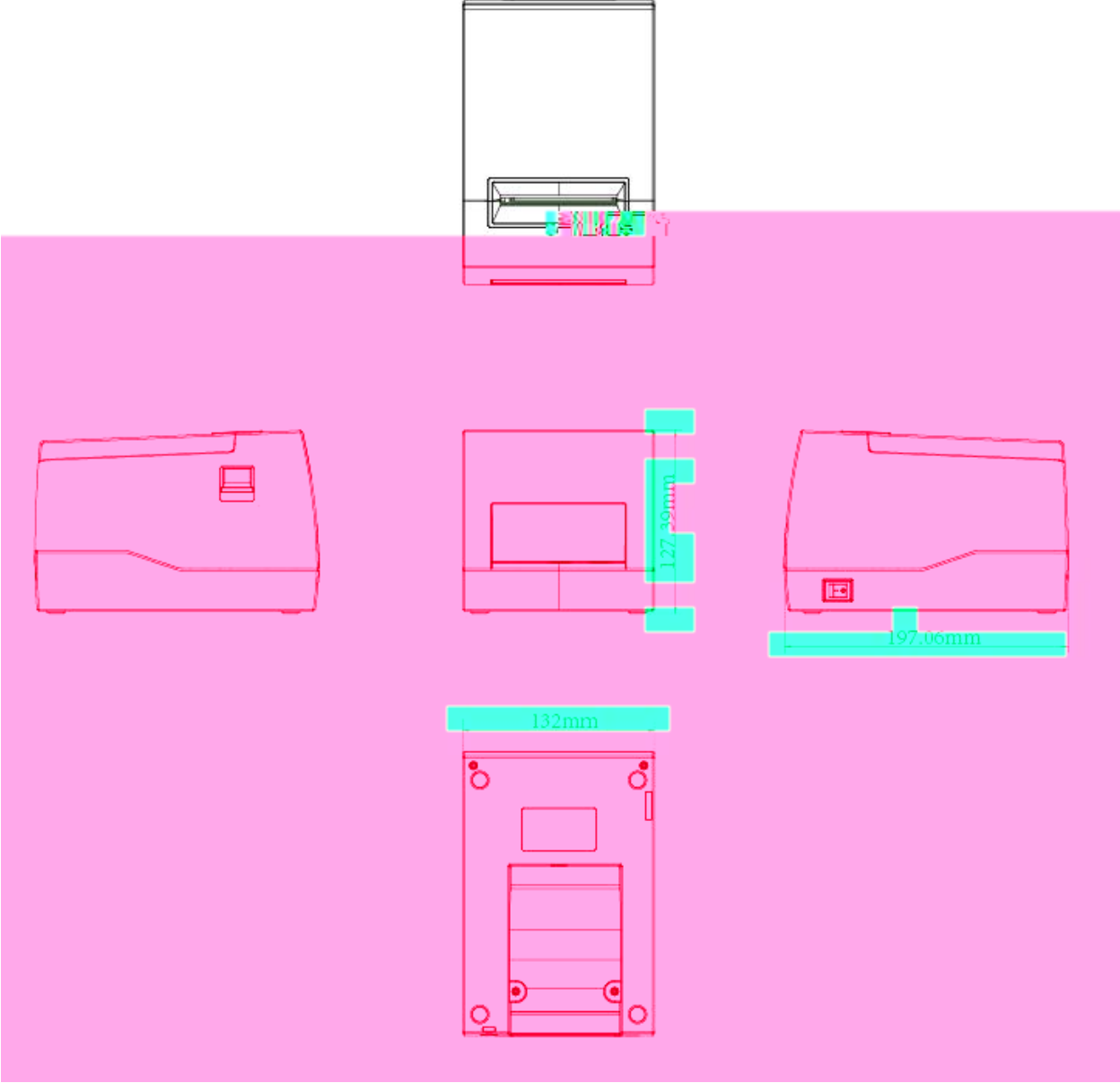
USB

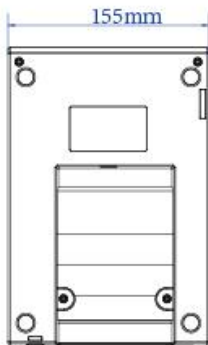
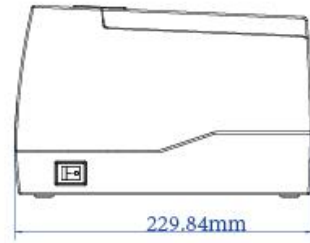
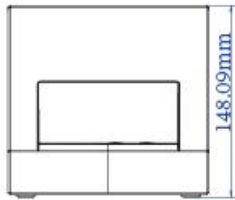
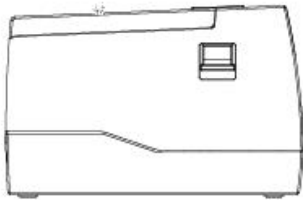
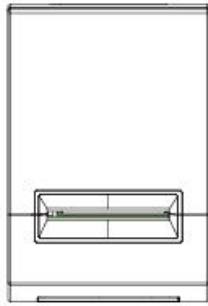


1.2



1.3





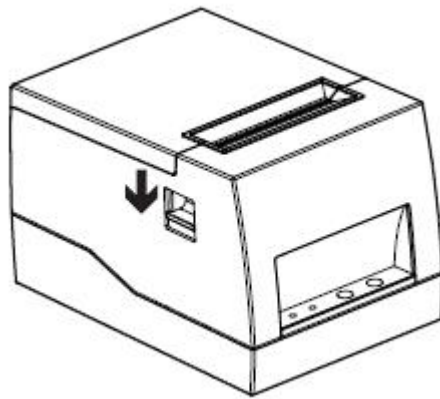
		DL - 886A	DL - 886B
		203 / (8 /)	
		50/76/102 /	
		56	72
		400	300
		32 RISC CPU	
	RAM	2MB	
		2MB	
		1 (25.4) - 2.44 (60)	1 (25.4) - 3.35 (80)
		0.003 (60) - 0.007 (180)	
		90	105
		1 (25.4),1.5 (38.1)	
		TSPL	
		Deli Bartender Ultralite	
		Windows 2000,Vista7,8,10	
		ASCII 9x16, 12x24 16x16, 24x24	

		DL - 886A		DL - 886B	
				DOS 437	
		Code 39, Code 93, EAN 8/13 (add on 2 & 5), UPC A/E			
		QR code			
		USB			
		100	~240	50/60	0.6
		12 2			
		41 - 104 (5 - 40), 30% - 85%			
		- 4 - 122 (- 20 - 50), 10% - 50%			
	(* *)	182.5()*134()*120.6()		210()*154()*135()	
		805 ,		880 ,	
		CCC			

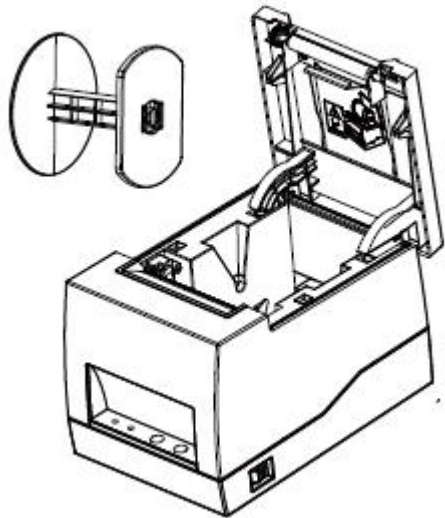
3

3.1

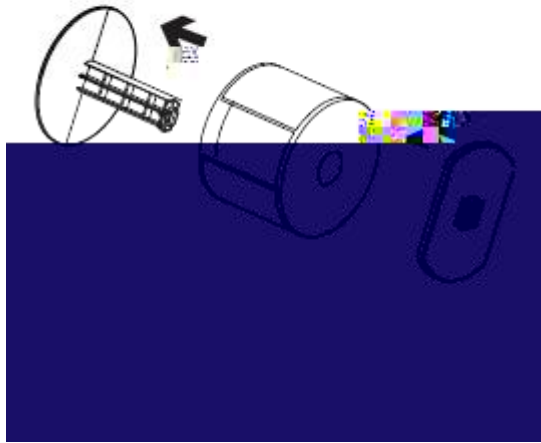
1.



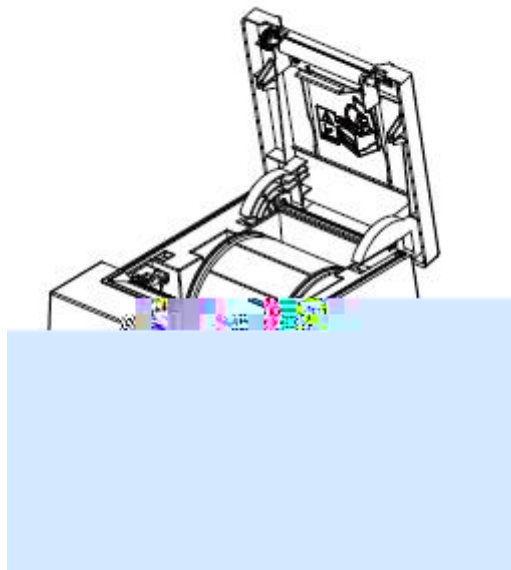
2.



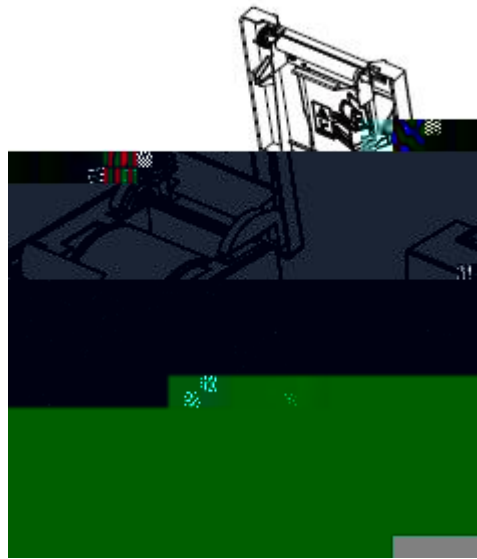
3.



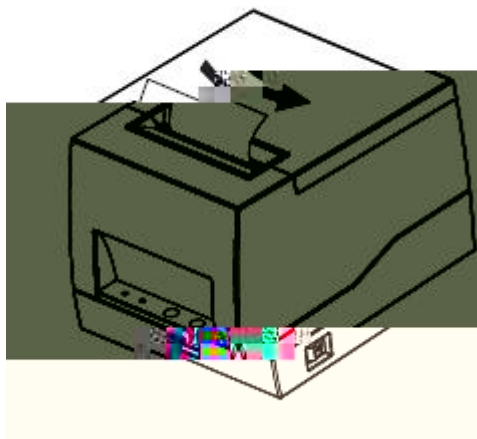
4.



5.



6.

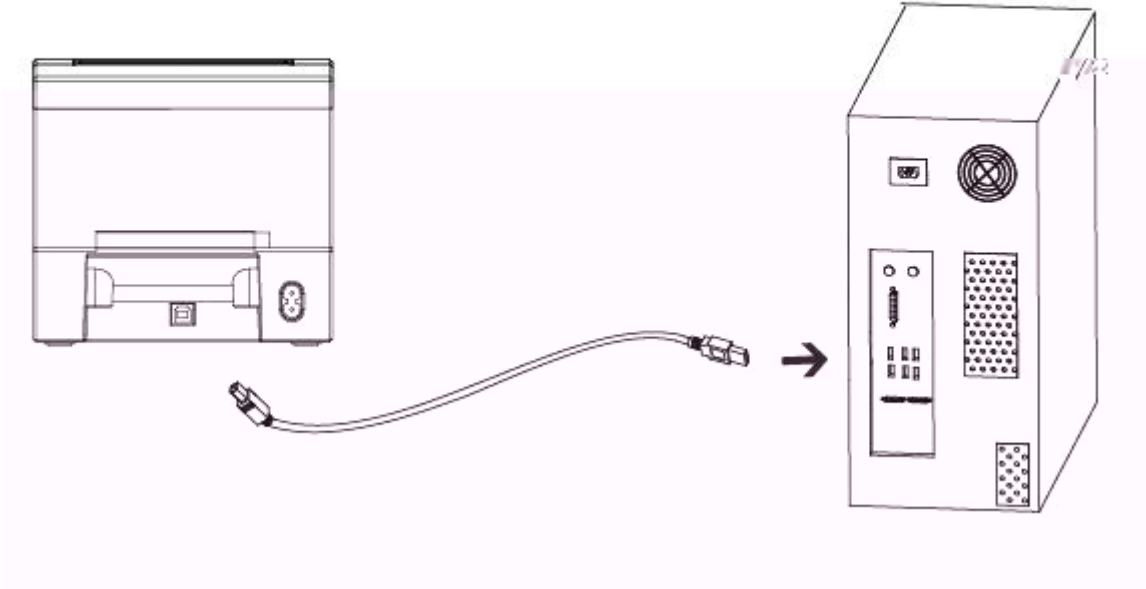


3.2

1.

3.3

-- USB B- Type



1 (O)

2

-- USB USB B- Type

3.4

-

-

-

- 1.

- 2.

-



:

		X	X	
		X	X	
		X	X	
X	X			
				/ / /

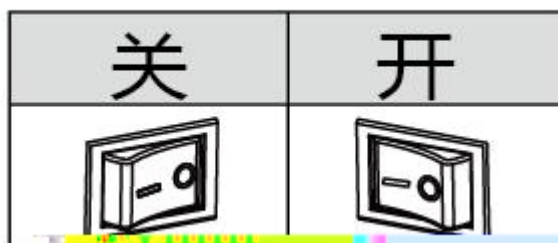


3.5

3.5.1 /

" 0 "

" _ "



3.5.2

3.5.3

1.

1)

3.5.4

1.



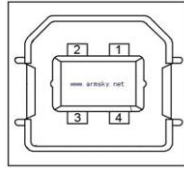
2.

2

3



4



1	VBUS
2	D-
3	D+
4	GND

5



:

1

2

2~3

3

4

5.1

1

2

1 2

5.2

1

2

3

4

1 2



1:

1

